

8-24-00

A

Customer No. 20350
TOWNSEND and TOWNSEND and CREW LLP
Two Embarcadero Center, 8th Floor
San Francisco, California 94111-3834
(415) 576-0200

Attorney Docket No. 19635-000210US

"Express Mail" Label No. EL525626315US

Date of Deposit: August 22, 2000

ASSISTANT COMMISSIONER FOR PATENTS
BOX PATENT APPLICATION
Washington, D.C. 20231

I hereby certify that this is being deposited with the United States Postal Service "Express Mail Post Office to Addressee" service under 37 CFR 1.10 on the date indicated above, addressed to:

Sir:
Transmitted herewith for filing under 37 CFR 1.53(b) is the

- patent application of
- continuation patent application of
- divisional patent application of
- continuation-in-part patent application of

Assistant Commissioner for Patents
Washington, D.C. 20231

By: Stuart McLeish
Stuart McLeish

08/22/00

08/22/00
09/644201
10/644201
11/644201
12/644201
13/644201
14/644201
15/644201
16/644201
17/644201
18/644201
19/644201
20/644201
21/644201
22/644201
23/644201
24/644201
25/644201
26/644201
27/644201
28/644201
29/644201
30/644201
31/644201
32/644201
33/644201
34/644201
35/644201
36/644201
37/644201
38/644201
39/644201
40/644201
41/644201
42/644201
43/644201
44/644201
45/644201
46/644201
47/644201
48/644201
49/644201
50/644201
51/644201
52/644201
53/644201
54/644201
55/644201
56/644201
57/644201
58/644201
59/644201
60/644201
61/644201
62/644201
63/644201
64/644201
65/644201
66/644201
67/644201
68/644201
69/644201
70/644201
71/644201
72/644201
73/644201
74/644201
75/644201
76/644201
77/644201
78/644201
79/644201
80/644201
81/644201
82/644201
83/644201
84/644201
85/644201
86/644201
87/644201
88/644201
89/644201
90/644201
91/644201
92/644201
93/644201
94/644201
95/644201
96/644201
97/644201
98/644201
99/644201
00/644201

Inventor(s)/Applicant Identifier: Gerardo V. Noriega et al.

For: GUIDEWIRE FOR CROSSING OCCLUSIONS OR STENOSES

This application claims priority from each of the following Application Nos./filing dates:
60/195,154 filed April 6, 2000
the disclosure(s) of which is (are) incorporated by reference.

Enclosed are:

- 20 page(s) of specification
- 9 page(s) of claims
- 1 page of Abstract
- 22 sheet(s) of [] formal [X] informal drawing(s).
- A [] signed [X] unsigned Declaration.
- Return Postcard

In view of the Unsigned Declaration as filed with this application and pursuant to 37 CFR §1.53(f), Applicant requests deferral of the filing fee until submission of the Missing Parts of Application.

DO NOT CHARGE THE FILING FEE AT THIS TIME.

Craig P. Wong

Craig P. Wong
Reg No.: 45,231
Attorneys for Applicant

Telephone:
(415) 576-0200

Facsimile:
(415) 576-0300

PATENT APPLICATION

GUIDEWIRE FOR CROSSING OCCLUSIONS OR STENOSES

Inventors:

GERARDO V. NORIEGA, residing at
477 Chelsey Avenue
Mountain View, California 94040
a citizen of the United States of America

VICTOR CHECHELSKI, residing at
106 Berkshire Drive
Winterville, North Carolina 28590
a citizen of the United States of America

RUDOLFO SUDARIA, residing at
32617 Brenda Avenue #2
Union City, California 94517
a citizen of the United States of America

Assignee:

NORBORN MEDICAL, INC.
655 Mariners Island Boulevard, Suite 303
San Mateo, California 94404
A corporation of Delaware

Status:

Small Entity

TOWNSEND and TOWNSEND and CREW LLP
Two Embarcadero Center, 8th Floor
San Francisco, California 94111-3834
Tel: (650) 326-2400

GUIDEWIRE FOR CROSSING OCCLUSIONS OR STENOSIS

CROSS-REFERENCES TO RELATED APPLICATIONS

The present application claims benefit of U.S. Patent Application No. 5
60/195,154, filed April 6, 2000, under 37 C.F.R. §1.78, the complete disclosure of which
is incorporated herein by reference. The present application is also related to U.S. Patent
Application No. 09/030,657, filed February 25, 1998, the complete disclosure of which is
herein incorporated by reference.

BACKGROUND OF THE INVENTION

10 The present invention is generally related to medical devices, kits, and
methods. More specifically, the present invention provides a system for crossing
stenosis, partial occlusions, or total occlusions in a patient's body.

Cardiovascular disease frequently arises from the accumulation of
atheromatous material on the inner walls of vascular lumens, particularly arterial lumens
15 of the coronary and other vasculature, resulting in a condition known as atherosclerosis.
Atheromatous and other vascular deposits restrict blood flow and can cause ischemia
which, in acute cases, can result in myocardial infarction or a heart attack. Atheromatous
deposits can have widely varying properties, with some deposits being relatively soft and
others being fibrous and/or calcified. In the latter case, the deposits are frequently
20 referred to as plaque. Atherosclerosis occurs naturally as a result of aging, but may also
be aggravated by factors such as diet, hypertension, heredity, vascular injury, and the like.

Atherosclerosis can be treated in a variety of ways, including drugs,
bypass surgery, and a variety of catheter-based approaches which rely on intravascular
widening or removal of the atheromatous or other material occluding the blood vessel.
25 Particular catheter-based interventions include angioplasty, atherectomy, laser ablation,
stenting, and the like. For the most part, the catheters used for these interventions must
be introduced over a guidewire, and the guidewire must be placed across the lesion prior
to catheter placement. Initial guidewire placement, however, can be difficult or
impossible in tortuous regions of the vasculature. Moreover, it can be equally difficult if
30 the lesion is total or near total, i.e. the lesion occludes the blood vessel lumen to such an
extent that the guidewire cannot be advanced across.

To overcome this difficulty, forward-cutting atherectomy catheters have been proposed. Such catheters usually can have a forwardly disposed blade (U.S. 4,926,858) or rotating burr (U.S. 4,445,509). While effective in some cases, these catheter systems, even with a separate guidewire, have great difficulty in traversing
5 through the small and tortuous body lumens of the patients and reaching the target site.

For these reasons, it is desired to provide devices, kits, and methods which can access small, tortuous regions of the vasculature and which can remove atheromatous, thrombotic, and other occluding materials from within blood vessels. In particular, it is desired to provide atherectomy systems which can pass through partial occlusions, total
10 occlusions, stenosis, and be able to macerate blood clots or thrombotic material. It is further desirable that the atherectomy system have the ability to infuse and aspirate fluids before, during, or after crossing the lesion. At least some of these objectives will be met by the devices and methods of the present invention described hereinafter and in the claims.

15 SUMMARY OF THE INVENTION

The present invention provides systems and methods for removing occlusive material and passing through occlusions, stenosis, thrombus, and other material in a body lumen. More particularly, the present invention can be used passing through stenosis or occlusions in a neuro, cardio, and peripheral body lumens. Generally, the
20 present invention includes an elongate member that is positioned adjacent the occlusion or stenosis. A drive shaft having a distal tip is rotated and advanced from within the elongate member to create a path forward of the elongate member to form a path in the occlusion or stenosis. To facilitate passing through the occlusion or stenosis, the distal end of the elongate member can be steerable to provide better control the creation of the
25 path through the occlusion or stenosis. Optionally, the target site can be infused and/or aspirated before, during, and after creation of the path through the occlusion.

In an exemplary embodiment, the elongate member is a hollow guidewire that has a flexibility, pushability and torqueability to be advanced through the tortuous blood vessel without the use of a separate guidewire. Additionally, the hollow guidewire
30 may be sized to fit within a conventional support or access catheter system and inserted into the blood vessel and delivered to the target site. The catheter system can be delivered either concurrently with the advancement of the hollow guidewire or after the guidewire has reached the target site. The position of the hollow guidewire and catheter

system can be maintained and stabilized while the drive shaft is rotated and translated out of the axial lumen of the hollow guidewire. The distal tip of the drive shaft can be deflected, coiled, blunted, flattened, enlarged, twisted, basket shaped, or the like. In some embodiments, to increase the rate of removal of the occlusive material, the distal tip is sharpened or impregnated with an abrasive material such as diamond chips, diamond powder, glass, or the like.

The drive shaft can be a counter-wound guidewire construction or be of a composite structure consisting of a fine wire around which a coil is wrapped. The counter-wound or composite constructions are more flexible than a single wire drive shaft and can provide a tighter bending radius while still retaining the torque transmitting ability so that it can still operate as a lesion penetration mechanism.

In a specific configuration, the drive shaft has spiral threads or external riflings extending along the shaft. The spirals typically extend from the proximal end of the shaft to a point proximal of the distal tip. As the drive shaft is rotated and axially advanced into the occlusive material, the distal tip creates a path and removes the material from the body. The rotating spirals act similar to an "Archimedes Screw" and transport the removed material proximally up the lumen of the elongate member and prevent the loose atheromatous material from escaping into the blood stream.

Systems and kits of the present invention can include a support system or access system, such as a catheter or guidewire having a body adapted for intraluminal introduction to the target blood vessel. The dimensions and other physical characteristics of the access system body will vary significantly depending on the body lumen which is to be accessed. In the exemplary case, the body of the support or access system is very flexible and is suitable for introduction over a conventional guidewire or the hollow guidewire of the present invention. The support or access system body can either be for "over-the-wire" introduction or for "rapid exchange," where the guidewire lumen extends only through a distal portion of the access system body. Optionally, the support or access system can have at least one axial channels extending through the lumen to facilitate infusion and/or aspiration of material from the target site. Support or access system bodies will typically be composed of an organic polymer, such as polyvinylchloride, polyurethanes, polyesters, polytetrafluoroethylenes (PTFE), silicone rubbers, natural rubbers, or the like. Suitable bodies may be formed by extrusion, with one or more lumens that extend axially through the body. For example, the support or access system can be a support catheter, interventional catheter, balloon dilation catheter, atherectomy

catheter, rotational catheter, extractional catheter, laser ablation catheter, guiding catheter, stenting catheter, ultrasound catheter, and the like.

5 In other embodiments, a hollow guidewire can be used as the support or access system. The hollow guidewire can be navigated to and positioned at the target site, with or without the use of a separate guidewire. The hollow guidewire support system provides the flexibility, maneuverability, torqueability (usually 1:1), and columnar strength necessary for accurately advancing through the tortuous vasculature. The hollow guidewire support system can act as a working channel inside of which other interventional devices can be delivered to the target site. Such devices include, but are not limited to a rotating guidewire, infusion guidewire, clot maceration guidewire, normal 10 guidewire, and the like. Because the hollow guidewire is not composed of polymer, the hollow guidewire working channel does not soften at body temperatures.

The hollow guidewire working channel typically has a thin wall construction which allows the lumen of the working channel to be maximized when 15 compared with polymeric based catheter designs. This allows larger diameter devices to be inserted into it than can be inserted through similar sized catheter-based devices. The larger lumen of the hollow guidewire working channel allows devices such as clot macerators and other larger devices to be delivered to the target lesion. Additionally the larger diameter lumen allows infusion or clot dissolving fluid and/or aspiration of the 20 debris created in the clot maceration process.

In use, the access system can be delivered to the target site over a conventional guidewire. Once the access system has been positioned near the target site, the conventional guidewire can be removed and the elongate member can be advanced through the access system to the target site. Alternatively, because the elongate member 25 can have the flexibility, pushability, and torqueability to be advanced through the tortuous regions of the vasculature, it is possible to advance the elongate member through the vasculature to the target site without the use of a separate guidewire. The access system can be advanced over the elongate member to the target site. Once the elongate member has been positioned at the target site, the drive shaft is rotated and advanced into the 30 occlusive material. The rotation of the distal tip creates a path forward of the elongate member. In some embodiments the path created by the distal tip has a path radius which is larger than the radius of the distal end of the elongate member. In other embodiments, the path created by the distal tip has a path radius which is the same size or smaller than the radius of the elongate member.

One exemplary system for crossing an occlusion or stenosis within a body lumen comprises a drive shaft that is rotatably and translatably received within an axial lumen of an elongate member. Means at a distal portion of the drive shaft creates a path in front of the elongate member to facilitate crossing of the occlusion or stenosis. The means is moveable between an axially retracted configuration and an axially extended configuration. The means in the axially extended configuration creates a profile that is at least as large as the diameter of the distal end of the elongate member. In alternative implementations, the path creating means can move from the retracted position to an extended configuration that has a profile with the same or smaller profile than the distal end of the elongate member.

In another aspect, the present invention provides a system for crossing an occlusion or stenosis within a body lumen. The system comprises an elongate member having a proximal end, a distal end, and a lumen. A drive shaft is rotatably and translatably disposed in the elongate member and is removably attached to a rotating mechanism. The rotating mechanism rotates the drive shaft so that a distal tip can be advanced beyond the distal end of the elongate member to create a path through the occlusion or stenosis such that the elongate member can be advanced past the occlusion or stenosis. In a specific implementation, the rotating mechanism can be detached from the drive shaft and an access system can be delivered to the target site over the elongate member. Thereafter, the rotating mechanism can be reattached and the drive shaft can be rotated.

In yet another aspect, the present invention provides an assembly for crossing an occlusive or stenotic material in a body lumen. The assembly comprises a guidewire having an axial lumen. A drive shaft rotatably and translatably extends through the axial lumen of the guidewire. The drive shaft has a distal tip that can be rotated and advanced to create a path through the occlusive or stenotic material. In some embodiments, the guidewire has an outer diameter or periphery similar to conventional passive guidewires used for neuro, cardio, and peripheral interventions. The outer diameter or periphery of the guidewire having an axial lumen is typically between approximately .040 inches and .009 inches, and preferably between approximately .024 inches and .009 inches, and typically between 0.013 and 0.014 inches. Depending on the body lumen that is accessed, the outer diameter of the guidewire can be larger or smaller. In most embodiments, the guidewire has the torqueability, pushability, and steerability to be advanced through the body lumen.

In yet another aspect the present invention provides a guidewire system for passing through occlusions or stenosis. The system comprises a hollow guidewire having a distal end, a proximal end, and a lumen. A drive shaft is movably disposed within the hollow guidewire such that a distal tip portion can extend beyond the distal end of the hollow guidewire. A rotating mechanism can rotate the drive shaft and an actuator can be used to control the axial movement of the drive shaft. Activation of the actuator moves the distal end of the rotating drive shaft along its longitudinal axis to create a path through the occlusion or stenosis.

In yet another aspect, the present invention provides a method of crossing an occlusion or stenosis within a body lumen. The method comprises positioning an elongate member and a drive shaft in the body lumen. The drive shaft is rotated. The drive shaft is expanded from a retracted configuration to an expanded configuration. In the expanded configuration, the drive shaft creates a path that is at least as large as the perimeter of the distal end of the elongate member. The distal portion of the drive shaft is then advanced into the occlusion or stenosis to create a path in the occlusion or stenosis.

In another aspect the present invention provides a method of crossing an occlusion or stenosis within a body lumen. The method comprises advancing a guidewire through the body lumen. An access or support system is moved over the guidewire to the occlusion or stenosis. The guidewire is removed from the body lumen and a steerable elongate member having a drive shaft is passed through the lumen of the access system. The drive shaft is rotated within a lumen of the elongate member. The drive shaft is advanced from a retracted position to an extended position to create a path through the occlusion or stenosis.

In yet another aspect, the present invention provides a method of passing through an occlusive or stenotic material in a body lumen. The method comprises positioning a hollow guidewire with a drive shaft adjacent the occlusion. A drive shaft is rotated and advanced out of the hollow guidewire and into the occlusive or stenotic material to create a path through the occlusive or stenotic material. In some embodiments, the guidewire can then be moved through the occlusive or stenotic material and an access system can be positioned in the path through the occlusive or stenotic material. The remaining occlusive or stenotic material can then be removed with the access system.

In another aspect, the present invention provides a kit. The kit has a hollow guidewire having a lumen. A rotatable drive shaft having a shaped distal tip is

removably received within the lumen of the hollow guidewire. Instructions for use in passing occlusions or stenosis in a body lumen comprise rotating the inner wire within the steerable hollow guidewire and advancing the drive shaft into the occlusive or stenotic material to create a path through the occlusive or stenotic material. A package is adapted to contain the hollow guidewire, rotatable wire, and the instructions for use. In some embodiments, the instructions can be printed directly on the package, while in other embodiments the instructions can be separate from the package.

These and other aspects of the invention will be further evident from the attached drawings and description of the invention.

BRIEF DESCRIPTION OF THE DRAWINGS

Fig. 1A shows an elevational view of a system of the present invention;

Fig. 1B shows manual manipulation of the drive shaft;

Fig. 2 shows a distal end of the elongate member and a distal tip of a drive shaft of the present invention;

Fig. 3 is a cross sectional view of the device along A-A of Fig. 2;

Fig. 4 shows a diamond chip embedded distal tip of the drive shaft;

Fig. 5A shows a deflected distal tip in a position forward of the distal end of the elongate member;

Fig. 5B shows the flexible deflected distal tip in a fully retracted position within the axial lumen of the elongate member;

Fig. 5C shows a deflected distal tip in a retracted position with the distal tip partially extending out of the elongate member;

Fig. 6A shows a sharpened deflected distal tip extending out of the elongate member;

Figs. 6B and 6C show the cutting edges on the deflected distal tip of Fig. 6A;

Fig. 6D shows the distal tip deflected off of the longitudinal axis of the drive shaft;

Figs. 6E and 6F is a partial cut away section of two counter-wound drive shafts of the present invention;

Fig. 6G shows the relative flexibility between a conventional drive shaft and a counter-wound drive shaft of the present invention;

Figs. 7A to 7C illustrate a method of forming the deflected distal tip using a fixture;

Figs. 8A-8K show a variety of tip configurations;

Fig. 8L shows a distal tip having a flattened and twisted configuration;

5 Figs. 8M-8P show an exemplary method of manufacturing the distal tip of Fig. 8L;

Fig. 9 shows a drive shaft having spirals or external riflings which facilitate the proximal movement of the removed occlusive or stenotic material;

10 Fig. 10 shows a linkage assembly between the motor shaft and the drive shaft;

Figs. 11A and 11B show an alternative linkage assembly coupling the motor shaft and the drive shaft;

Figs. 12-14 show a luer connection assembly which couples the elongate member to the housing;

15 Figs. 15 shows a system having an access system, a hollow guidewire with a deflectable distal end, and a drive shaft;

Figs. 16A to 16E illustrate a method of the present invention;

Figs. 17A to 17E illustrate another method of the present invention;

Figs. 18A to 18B illustrate yet another method of the present invention;

20 and

Fig. 19 shows a kit of the present invention.

DESCRIPTION OF THE SPECIFIC EMBODIMENTS

The systems, devices and methods according to the present invention will generally be adapted for the intraluminal treatment of a target site within a body lumen of
25 a patient, usually in a coronary artery or peripheral blood vessel which is occluded or stenosed with atherosclerotic, stenotic, thrombotic, or other occlusive material. The systems, devices and methods, however, are also suitable for treating stenoses of the body lumens and other hyperplastic and neoplastic conditions in other body lumens, such as the ureter, the biliary duct, respiratory passages, the pancreatic duct, the lymphatic duct, and
30 the like. Neoplastic cell growth will often occur as a result of a tumor surrounding and intruding into a body lumen. Removal of such material can thus be beneficial to maintain patency of the body lumen. While the remaining discussion is directed at passing through atheromatous or thrombotic occlusive material in a coronary artery, it will be appreciated

that the systems and methods of the present invention can be used to remove and/or pass through a variety of occlusive, stenotic, or hyperplastic material in a variety of body lumens.

An apparatus 10 embodying features of the present invention is illustrated in Fig. 1A. The apparatus 10 generally includes a housing 12 coupled to an elongate member 14 which has a proximal end 16, a distal end 18, and an axial lumen 20. As shown by arrows 23, 25, the drive shaft 22 is movably received within the axial lumen 20 of the elongate member 14. The distal tip 24 of the drive shaft 22 has a shaped profile such that movement of the drive shaft creates a path forward of the distal end of the elongate member 14 for passing through the occlusive or stenotic material. In most configurations, wires 29 couple the drive motor 26 to the control system 27 and power supply 28. In some embodiments, the power supply 28 is covered with a plastic sheath cover so as to maintain a sterile environment (not shown).

The drive motor 26 is attachable to the proximal end of the drive shaft 14 to move (i.e., rotate, translate, reciprocate, vibrate, or the like) the drive shaft 22 and shaped distal tip 24. An input device 82 is attached to the housing 12 to control the rotation and/or axial movement of the drive shaft 22. The proximal end 16 of elongate member 14 is coupled to the housing 12 through a connector assembly 30. The connector assembly limits the motion of the elongate member 14 while allowing the drive shaft 22 to rotate and translate within the elongate member 14. Optionally, some embodiments of the connector assembly 30 includes an aspiration or infusion port (not shown) for facilitating fluid exchange (e.g., delivery or removal) at the target site.

As shown in Fig. 1B, in order to macerate clots and to penetrate soft lesions, some drive shafts of the present invention can be configured to be manually rotated. In such embodiments, the proximal end of the drive shaft 22 can be grasped between the fingers and manually turned to rotate the distal tip 24. The proximal end can be optionally fit with a knurled knob 21 or other mechanism which allows manual manipulation of the proximal end of the drive shaft 22.

An exemplary embodiment of the elongate member 14 is best seen in Figs. 2 and 3. The elongate member 14 is preferably a flexible, hollow guidewire that has the flexibility, pushability, and torqueability to allow a user to advance the hollow guidewire directly through a tortuous blood vessel to the target site. Because of the high columnar strength of the hollow guidewire 14 there is typically no need for a separate guidewire.

In the exemplary embodiment illustrated in Fig. 2, the hollow guidewire has an helically wound elongated shaft which defines an axial lumen 20 that receives the drive shaft 22 and which can be used for infusion or aspiration. The elongated shaft includes a proximal outer tube 32, an intermediate coil 34, and a distal coil tip 36. In some embodiments the intermediate coil 34 is made of a stainless steel or nitinol coil, while the distal tip 36 is composed of a flexible, radiopaque coil, such as platinum-iridium. As shown, the intermediate coil 34 is threadedly engaged with the outer tube 32 and distal tip 36, but it will be appreciated that the intermediate coil 34 can be connected to the outer tube 32 and distal tip 36 by any conventional means, e.g. solder, adhesive, or the like. The proximal end of the elongate member 14 can be coupled to a vacuum source or a fluid source (not shown) such that the target site can be aspirated or infused during the procedure.

Hollow guidewire 14 is typically sized to be inserted through coronary, neuro, or peripheral arteries and can have a variety of diameters. The outer diameter of the hollow guidewire is typically between approximately 0.009 inches and 0.040 inches and preferably between approximately 0.009 inches and 0.024 inches so as to ensure compatibility with existing interventional cardiology catheters and stent systems. The length of the hollow guidewire 14 may be varied to correspond to the distance between the percutaneous access site and the target site. For example, for a target site within the heart that is being accessed through the femoral artery, the hollow guidewire will typically have a length of approximately 175 cm. It should be noted however, that other embodiments of the hollow guidewire 14 may have dimensions that are larger or smaller than the above described embodiments and the present invention is not limited to the above recited dimensions.

Referring now to Fig. 3, a cross section of one embodiment of the hollow guidewire 14 is shown. An inner tube 38 and outer tube 40 are positioned around coils 34, 36 to provide a flexible, structural support which prevents liquids from moving between the blood vessel and the axial lumen of the elongate member 14. A reinforcing wire 42 can be positioned between the inner tube 38 and the coils 34, 36 to provide for deflection or steering of the distal end 18. The reinforcing wire 42 can be formed of a material having sufficient strength so that a thin profile is possible. For example, the reinforcing wire can be an at least partially flattened strip of stainless steel that can retain its shape until it is re-shaped to a different configuration. In one configuration, the reinforcing wire 42 is soldered or otherwise connected to the distal end of coil 36 and the

remainder of the reinforcing wire 42 extends proximally to the housing 12. Manipulation of the proximal end of the reinforcing wire 42 allows the user to deflect or steer the distal tip 18 without permanently impairing the inner structure of the hollow guidewire 14. The steerable distal tip provides a user with greater intraluminal control of removing the occlusive or stenotic material from the blood vessel and also aids in navigating the hollow guidewire to the target site. In another configuration, the reinforcing wire is 42 can be soldered or otherwise connected to both the distal end and to the junction between coils 34, 36. Therefore, if the coils 34, 36, break, the attached reinforcing wire 42 can prevent the coils 34, 36 from detaching from the system 10. A more complete description of the hollow guidewire can be found in commonly owned U.S. Patent Application No. 09/030,657, filed February 25, 1998, the complete disclosure of which was previously incorporated by reference.

Figs. 4-9 show various embodiments of the drive shaft 22 of the present invention. In most embodiments, the drive shaft 22 is a wire, a counter-wound multiple strand wire, or a plurality of braided wires having a body 44 and a shaped distal tip 24. The proximal end of the drive shaft 22 can be removably coupled to a rotatable motor shaft 48 (Figs. 10 and 11A) or manually manipulated (Fig. 1B). The body 44 of the drive shaft 22 extends through the elongate member 14 so that the distal tip 24 of the drive shaft is positioned near the distal end of the elongate member 14. The detachable connection to the motor shaft 48 allows the drive shaft 22 and elongate member 14 to be detached from the motor shaft 48 and connector assembly 30 so that an access or support system can be placed over the elongate member and advanced through the body lumen.

As shown in Figs. 4 and 5A-5C, the distal tip can be shaped or deflected from the longitudinal axis 50 to extend beyond the radius of the elongate member 14 such that rotation of the drive shaft 22 creates a path radius 52 that is as at least as large as the radius 54 of the distal end of the elongate member 14. In other embodiments, the distal tip 24 will be deflected and shaped so as to create a path radius 52 which is the same or smaller than the radius of the distal end of the elongate member 14 (Figs. 8B-8G). For example, in one exemplary configuration shown in Fig. 5C, a portion of the distal tip 24 extends beyond the distal end 18 of the elongate member when in the fully retracted position. When the drive shaft 22 is advanced out of the elongate member 14, the flexible distal tip 24 maintains a deflected shape (Fig. 5A). In alternative configurations, it is contemplated that the deflection at the distal tip 24 can straighten somewhat under the force from the walls of the elongate member 14 when the drive shaft 22 is retracted into

the elongate member 14 (Fig. 5B). Thus, in the axially retracted configuration, the drive shaft 22 will have a profile that is smaller than the radius of the distal tip of the elongate member. When the drive shaft is advanced out of the distal end of the elongate member, the drive shaft will expand to an axially extended configuration in which the distal tip of the drive shaft 22 will have a profile that is larger than the axially retracted configuration, and in some embodiments will have a larger profile than the distal end of the elongate member 14.

Referring again to Fig. 4, in some configurations a layer of abrasive material 56 can be attached and distributed over at least a portion of the distal tip 24 of the drive shaft 22 so that the abrasive material 56 engages the stenotic or occlusive material as the drive shaft 22 is advanced into the occlusion or stenosis. The abrasive material 56 can be diamond powder, diamond chips, fused silica, titanium nitride, tungsten carbide, aluminum oxide, boron carbide, or other conventional abrasive particles.

Alternatively, as shown in Figs. 6A-6D, the distal tip 24 of the drive shaft 22 can be sharpened to facilitate passing through the occlusion or stenosis. A distal edge of the tip 24 can be sharpened so as to define a cutting edge 58 which rotatably contacts the occlusive or stenotic material. In an exemplary embodiment illustrated in Figs. 6B-6C, a tip 60 of the drive shaft can be sharpened to create a plurality of cutting edges 58. Furthermore, as shown in Fig. 6D and as described above, the distal tip 24 can be deflected from its longitudinal axis 50 to create the cutting path radius 52 of the drive shaft 24 that is smaller, larger, or the same length as the radius of the elongate member 14.

The drive shaft 22 can be composed of a shape retaining material, a rigid material, a flexible material, or can be composed of a plurality of materials. For example in some configurations, the drive shaft 22 can be comprised of nitinol, stainless steel, platinum-iridium, or the like. The distal tip 24 of the drive shaft 22 can have an enlarged tip, a preformed curve, or a preformed deflection (Fig. 5A). Figs. 6E and 6F show exemplary embodiments of a counter-wound and composite drive shafts of the present invention. The counter-wound drive shaft 22 shown in Fig. 6E is made of a 0.004 inch OD center wire 67 having a right-hand wound surrounding wire 69 coiled around the center wire 67. The surrounding wire 69 can be soldered to the center wire at both ends of the center wire. In the embodiment of Fig. 6F, multiple strand wires 51 can be wound around a central coil 71 to form the drive shaft 22. The counter-wound drive shafts are

significantly more flexible than a single wire guidewire and allows for a tighter bending radius over conventional guidewire. Fig. 6G illustrates the flexibility of both a 0.007 inch OD single wire stainless steel wire drive shaft 22a and a 0.007 inch OD counter-wound stainless steel drive shaft 22b. As shown by Fig. 6F, the counter-wound drive shaft has better flexibility, while still maintaining its torqueability, maneuverability, and columnar strength.

Additionally, in some embodiments, the distal portion of the drive shaft 22 is radiopaque so that a physician can track the position of the drive shaft 22 using fluoroscopy. The drive shaft 24 typically has a diameter between approximately 0.010 inches and 0.005 inches. It should be appreciated that the dimension of the drive shaft will be slightly less than the inner diameter of the hollow guidewire so as to allow rotation without significant heat generation. Consequently, the dimensions of the drive shaft will vary depending on the relative inner diameter of the elongate member 14 and the present invention is not limited to the above described dimensions of the drive shaft.

In one embodiment, the distal tip 24 of the drive shaft is created using a shaped fixture 64. As shown in Figs. 7A and 7B, the distal tip 24 is positioned on the fixture 64 and bent to a desired angle 66. The distal tip 24 can be bent to almost any angle 66 between 0° degrees and 90° degrees from the longitudinal axis 50, but is preferably deflected between 0° degrees and 50° degrees. As shown in Fig. 7C, a sharpened edge 58 can be created on the distal tip using a wafer dicing machine used in the production of silicon microchips (not shown). The angle of the sharpened edge 58 can be almost any angle, but the angle is typically between 0° degrees and 45° degrees, and is preferably between approximately 8° degrees and 18° degrees. Naturally, it will be appreciated that a variety of methods can be used to manufacture the distal tip of the drive shaft and that the present invention is not limited to drive shafts produced by the described method.

As mentioned above, the distal tip 24 can take various shapes. One embodiment having a deflected distal tip 24 is shown in Fig. 8A. In an exemplary configuration, the deflected tip is offset at an angle such that rotation of the drive wire 22 defines a profile or path that is at least as large as the outer diameter of the distal end of the elongate member 14. As shown in Figs. 8B and 8C, in other embodiments, the tip can be deflected at other angles and may have a length that creates a path that is smaller or the same diameter as the distal end of the elongate member. The deflected distal tip can extend radially any feasible length beyond the perimeter or diameter of the elongate

member 14. It should be understood that the invention is not limited to a single deflected tip. For example, the drive shaft can comprise a plurality of deflected tips. Alternatively, the drive shaft may have a distal tip 24 that is twizzle shaped, spring shaped, twisted metal shaped (Fig. 8D), ball shaped (Fig. 8E), a discontinuous surface (Fig. 8F), or the like. Alternatively, the drive shaft may comprise a plurality of filaments (Fig. 8G), rigid or flexible brush elements, a plurality of coils, or the like.

The distal tip of the drive shaft can be configured optimally for the type of occlusion or stenosis to be penetrated. Some lesions are made up substantially of clot or thrombotic material that is soft and gelatinous. Figs. 8H and 8K shows distal tip embodiments which may be used to macerate a soft clot, thrombotic material, or stenosis. Fig. 8H shows a distal tip 24 having a basket like construction which is made up of a plurality of strands 59 that are connected at their ends 61, 63. In another embodiment illustrated in Fig. 8I, the distal tip 24 can be composed of a plurality of strands 59 that are unconnected at their distal ends 63. Additionally, the distal ends 63 of the strands 59 can be turned inward so that the distal ends 63 do not penetrate the body lumen when rotated. Fig. 8J shows a corkscrew spiral distal tip having a blunt distal end 63. Fig. 8K shows a distal tip having a loop configuration.

In use, the distal tip 24 is rotated and advanced distally from a retracted position to an expanded position into the soft material in the target lesion. If slow speed rotation is desired the user can rotate the drive shaft slowly by hand by grasping a knurled knob attached to the proximal end of the drive shaft (Fig. 1B). If high speed rotation is desired, the proximal end of the drive shaft 22 can be attached to the drive motor 26. As the expanded wire basket tip is rotated, the tip macerates the soft clot and separates the clot from the wall of the body lumen. If a large diameter hollow guidewire working channel is used to deliver the drive shaft to the target area, the macerated clot can be aspirated through the guidewire working channel. Alternatively or additionally, a fluid, such as thrombolytic agents, can be delivered through the working channel to dissolve the clot to prevent “distal trash” and blockage of the vasculature with debris from the macerated clot.

In another exemplary embodiment shown in Fig. 8L, the distal tip 24 of the drive shaft 22 can be flattened and twisted to create a screw like tip that can create a path through the occlusion. The flattened and twisted distal tip 24 can have a same width, a smaller width or a larger width than the drive shaft 24. For example, in one configuration for a drive shaft having an outer diameter of 0.007 inches, the distal tip 24

can be flattened to have a width between approximately 0.015 inches and 0.016 inches, or more. It should be appreciated, however, that the distal tip can be manufactured to a variety of sizes.

5 Figs. 8M-8P show one method of manufacturing the flattened and distal tip of the present invention. The round drive shaft 22 (Fig. 8M) is taken and the distal end is flattened (Fig. 8N). The distal end can be sharpened (Fig. 8O) and twisted two or two and a half turns (Fig. 8P). If a different amount of twists are desired, the distal tip can be manufactured to create more (or less) turns.

10 As shown in Figs. 9 and 15 in some embodiments the drive shaft 22 can optionally have spiral threads or external riflings 64 which extend along the body 44. As the drive shaft 22 is rotated and axially advanced into the atheromatous material, the distal tip 24 creates a path and removes the atheromatous material from the blood vessel. The rotating spirals 64 act similar to an "Archimedes Screw" and transport the removed material proximally up the axial lumen of the elongate member 14 and prevent the loose
15 atheromatous material from blocking the axial lumen of the elongate member 14 or from escaping into the blood stream.

In use, drive shaft 24 is rotated and advanced to create a path distal of the elongate member 14 to create a path through the occlusion. The drive shaft 24 can be advanced and rotated simultaneously, rotated first and then advanced, or advanced first
20 and then rotated. The drive shaft 22 is typically ramped up from a static position (i.e. 0 rpm) to about 5,000 rpm, 20,000 rpm with a motor. It should be noted, however, that the speed of rotation can be varied (higher or lower) depending on the capacity of the motor, the dimensions of the drive shaft and the elongate member, the type of occlusion to be bypassed, and the like. For example, if desired, the drive shaft can be manually rotated or
25 reciprocated at a lower speed to macerate soft clots or to pass through lesions.

The distal tip of the drive shaft 22 can extend almost any length beyond the distal portion of the hollow guidewire. In most embodiments, however, the distal tip typically extends about 5 centimeters, more preferably from 0.05 centimeters to 5 centimeters, and most preferably between 0.05 centimeter and 2 centimeters beyond the
30 distal portion of the hollow guidewire.

Referring now to Figs. 10, 11A, and 11B, the motor shaft 48 and the proximal end 46 of the drive shaft 22 are coupled together with a detachable linkage assembly 70. In one embodiment shown in Fig. 10, linkage assembly 70 has a first flange 72 attached to the motor shaft 48. The first flange can be snap fit, snug fit, or

permanently attached to the drive shaft 48. A second flange 74 can be permanently or removably coupled to the proximal end 46 of the drive shaft 22 so that the first flange 72 of the motor shaft 48 can threadedly engage the second flange 74. In some embodiments, the proximal end of the drive shaft 46 can be enlarged so as to improve the engagement
5 with the second flange 74. An o-ring 76 is preferably disposed within a cavity in the first flange 72 to hold the first flange 72 and second flange 74 in fixed position relative to each other.

As shown generally in Figs. 1 and 11B, the motor 26 can be removably coupled to the housing 12. To detach the motor 26 and power supply 28 from the drive
10 shaft 22, the user can unlock the luer assembly 30 so as to release the elongate member 14 from the housing 12. The drive shaft 22 and elongate member 14 are then both free to move axially. The motor 26 can be moved proximally out of the housing 12 and the proximal end 46 of the drive shaft 22 can be detached from the motor shaft 48. After the motor 26, housing 12, and luer assembly 30 have been uncoupled from the elongate
15 member 14 and drive shaft 22, a support or access system (not shown) can be advanced over the free proximal end of the elongate member 14. Thereafter, the luer assembly and motor shaft 48 can be recoupled to the elongate member 14.

In the embodiment shown in Figs. 11A and 11B, the linkage assembly 70 includes a connecting shaft 78 that can be snugly fit over the motor shaft 48. The
20 connecting shaft 78 preferably tapers from a diameter slightly larger than the motor shaft 48 to a diameter of that of the approximately the proximal end 46 of the drive shaft 22. In the embodiment shown, the connecting shaft 78 is coupled to the drive shaft through shrinkable tubing 80. Because the connecting shaft 78 is snug fit over the motor shaft, (and is not threadedly attached to the drive shaft) the size of the connecting shaft 78 can
25 be smaller than the linkage assembly 70. While the exemplary embodiments of the connection assembly between the drive shaft and motor shaft have been described, it will be appreciated that drive shaft and motor shaft can be attached through any other conventional means. For example, the motor shaft 48 can be coupled to the drive shaft 22 through adhesive, welding, a snap fit assembly, or the like.

As shown in Fig. 11B, the drive shaft 22 extends proximally through the
30 housing 12 and is coupled to the motor shaft 48. An actuator 82 can be activated to advance and retract the drive shaft 22. In some embodiments, the motor is press fit into the actuator housing 12. The drive shaft 22 is attached to the motor shaft 26 via o-rings

such that the drive shaft 22 can be moved axially through axial movement of the actuator 82.

In most embodiments, actuation of the drive motor 26 and power supply 28 (e.g. rotation of the drive shaft) will be controlled independent from advancement of the drive shaft 22. However, while the actuator 82 is shown separate from the control system 27 and power supply 28 (Fig. 1), it will be appreciated that actuator 82 and control system 27 can be part of a single, consolidated console attached to the housing 12 or separate from the housing 12. For example, it is contemplated that that the drive shaft 22 can be rotated and advanced simultaneously by activation of a single actuator (not shown).

A connection assembly 30 is positioned on a proximal end of the housing to couple the hollow guidewire 14 and the drive shaft 22 to the housing 12. In a preferred embodiment shown in Figs. 12-14, the connection assembly 30 is a detachable luer which allows the drive shaft 22 to be moved (e.g. rotated, reciprocated, translated) while the elongate member is maintained in a substantially static position. Fig. 12 best illustrates an exemplary luer connection assembly 30 which couples the elongate member 14 and the housing 12. The luer has a gland 86 which is rotatably connected to a fitting 88 and a tubular portion 90. Rotation of the gland 86 rotates and torques the elongate member 14 while the elongate member 14 is advanced through the blood vessel. Fitting 88 is threaded into the gland 86 such that a distal end of the fitting engages an o-ring 92 and a surface wall 94 of the gland. The longitudinal axis 96 of the fitting 88 and gland 86 are aligned so as to be able to receive the axial lumen of the elongate member 14. As the fitting 88 engages the o-ring 92, the o-ring is compressed radially inward to squeeze and maintain the position of the elongate member 14. Accordingly, as illustrated in Fig. 13, when the drive shaft 22 is rotated within the elongate member 14, the o-ring 92 is able to substantially maintain the position and orientation of the elongate member 14. Tubular portion 90 attached to the proximal end of the fitting 88 threadedly engages the housing 12 and enables the luer connection assembly 30 to be removed from the housing 12 (Fig. 14). A more complete description of the connection assembly 30 can be found in commonly owned U.S. Patent Application No. 09/030,657, filed February 25, 1998, the complete disclosure of which was previously incorporated by reference. It should be appreciated that the present invention is not limited to the specific luer assembly described. Any luer assembly can be used to connect the elongate member 14 to the housing 12. For example, a Y-luer assembly (not shown) can be used with the system of

the present invention to infuse or aspirate of fluids through the lumen of the hollow guidewire 14.

As shown in Figs. 3 and 15, systems of the present invention can further include an access or support system 98. The access or support system 98 can be an intravascular catheter such as a hollow guidewire support device, support catheter, balloon dilation catheter, atherectomy catheters, rotational catheters, extractional catheters, conventional guiding catheters, an ultrasound catheter, a stenting catheter, or the like. In an exemplary configuration shown in Fig. 15, the system includes an infusion or aspiration catheter which has at least one axial channel 100, and preferably a plurality of axial channels 100 which extends through the catheter lumen 102 to the distal end of the catheter. The elongate member 14 and drive shaft 22 can be positioned and advanced through the lumen 102 of the catheter. The axial channel 20 of the elongate member 14 and/or the axial channels 100 of the catheter 98 can also be used to aspirate the target site or infuse therapeutic, diagnostic material, rinsing materials, dyes, or the like.

The access or support system can be guided by the elongate member to the target site in a variety of ways. For example, as illustrated in Figs. 16A to 16E, a conventional guidewire 104 can be advanced through the blood vessel BV from the access site (Fig. 16A). Once the guidewire 104 has reached the target site, the support or access system 98 can be advanced over the guidewire 104 (Fig. 16B). Alternatively, the guidewire 104 and support or access system 98 can be simultaneously advanced through the body lumen (not shown). Once the support or access system 98 has reached the target site, the conventional guidewire 104 can be removed and the hollow guidewire 14 having the drive shaft 22 can be introduced through the lumen 102 of the access system 98 (Fig. 16C). Even if the distal tip 24 of the drive shaft 22 is not fully retracted into the axial lumen 20, the lumen 102 of the support or access system protects the blood vessel BV from damage from the exposed distal tip 22. In most methods, the support or access system is positioned or stabilized with balloons, wires, or other stabilization devices 106 to provide a more controlled removal of the occlusive or stenotic material OM. Once the drive shaft 22 has reached the target site, the drive shaft can be rotated and advanced into the occlusive or stenotic material OM to create a path (Figs. 16D and 16E).

In another method of the present invention, the hollow guidewire 14 can be used to guide the support or access system to the target site without the use of a separate guide wire. The hollow guidewire 14 provides the flexibility, maneuverability, torqueability (usually 1:1), and columnar strength necessary for accurately advancing

through the tortuous vasculature and positioning the distal end of the support or access system at the target site. The steerable distal portion can be deflected and steered through the tortuous regions of the vasculature to get to the target site. As shown in Fig. 17A, the hollow guidewire is advanced through the tortuous blood vessel to the target site. Due to the small size of the guidewire 14 relative to the blood vessel, even if the distal tip 24 of the drive shaft 22 extends partially out of the hollow guidewire 14, any potential damage to the blood vessel BV will be minimal.

Once the hollow guidewire reaches the target site within the blood vessel, the motor shaft 48, luer assembly 30, and housing 12 can be detached from the proximal end 46 of the drive shaft 22 so that the support or access system can be placed over the hollow guidewire. After the motor has been detached, the support or access system can be advanced over the guidewire and through the body lumen to the target site (Fig. 17B). To reattach the drive motor 26 to the drive shaft 22, the hollow guidewire 14 and drive shaft 22 are inserted through the luer assembly 30. The luer assembly 30 is tightened to lock the position of the hollow guidewire 14. The drive shaft 22 will extend proximally through the housing 12 where it can be recoupled to the motor shaft using the above described linkage assemblies 70 or other conventional linkage assemblies. Once at the target site, the position of the support or access system 98 can be stabilized by a balloon, wires, or other stabilizing devices 106, and the drive shaft 22 can be rotated and advanced into the occlusive or stenotic material OM (Figs. 17C and 17D). The rotation of the drive shaft creates a path forward of the distal end 18 of the hollow guidewire 14. As noted above, the path can have the same diameter, smaller diameter, or larger diameter than the distal end of the hollow guidewire. Before, during, or after the rotation of the drive shaft, the user can steer or deflect the distal end 18 of the hollow guidewire 14 to guide the hollow guidewire to the desired location within the blood vessel. For example, as shown in Fig. 17E, once a portion of the occlusion or stenosis has been removed, the distal end 18 of the hollow guidewire 14 can be guided to angle the distal end so that the drive shaft is extended into a different portion of the occlusive or stenotic material OM.

While the apparatus of the present invention is sufficient to create a path through the occlusion OM without the use of a support or access system, the apparatus of the present invention can be used in conjunction with other atherectomy devices to facilitate improved removal or enlargement of the path through the occlusion. For example as shown in the above figures, the hollow guidewire 14 and the atherectomy device 108 can be advanced through the body lumen and positioned adjacent the

occlusion OM. The drive shaft 22 is rotated and advanced to make an initial path through the occlusion (Fig. 18A). The hollow guidewire 14 is then moved through the path in the occlusion and the atherectomy device 108 can then be advanced over the hollow guidewire 14 into the path in the occlusion OM to remove the remaining occlusion with cutting blades 110, or the like (Fig. 18B). While Fig. 18B shows cutting blades 110 to remove the occlusive material OM, it will be appreciated that other removal devices and techniques can be used. Some examples include balloon dilation catheters, other atherectomy catheters, rotational catheters, extractional catheters, laser ablation catheters, stenting catheters, and the like.

10 In another aspect, the invention provides medical kits. As shown in Fig. 19, the medical kit generally includes a system 10, instructions for use (IFU) 120 which describe any of the above described methods, and a package 130. The IFU can be separate from the package or they can be printed on the package. The kits can also optionally include any combination of a second guidewire, a motor, a power supply, a plastic sheath cover, connection assemblies, support or access systems, or the like.

15 While the above is a complete description of the preferred embodiments of the invention, various alternatives, modifications, and equivalents may be used. Therefore, the above description should not be taken as limiting the scope of the invention which is defined by the appended claims.

WHAT IS CLAIMED IS:

1 1. An assembly for crossing occlusive or stenotic material, the
2 assembly comprising:
3 a guidewire comprising an axial passage; and
4 a drive shaft rotatably and translatably extending through the axial passage
5 of the guidewire;
6 wherein the drive shaft comprises a distal tip that can be rotated and
7 advanced to create a path through the occlusive or stenotic material.

1 2. The assembly of claim 1 wherein the guidewire has a diameter
2 between approximately 0.009 inches and 0.035 inches.

1 3. The assembly of claim 1 wherein the assembly has a torqueability
2 and pushability to be advanced through a body lumen without the need of a separate
3 guidewire.

1 4. The assembly of claim 3 further comprising a detachable motor
2 coupled to a proximal end of the drive shaft that can impart a rotational movement to the
3 distal tip of the drive shaft.

1 5. The assembly of claim 1 wherein a proximal end of the drive shaft
2 can be manually rotated.

1 6. The assembly of claim 1 wherein the distal tip is flattened and
2 twisted.

1 7. The assembly of claim 1 wherein the distal tip has a width that is
2 larger than the width of the drive shaft.

1 8. The assembly of claim 1 wherein a distal end of the hollow
2 guidewire is steerable.

1 9. The assembly of claim 1 further comprising a housing coupled to
2 the proximal end of the hollow guidewire.

1 10. The assembly of claim 9 wherein the housing comprises an
2 actuator, wherein the drive shaft defines a longitudinal axis, and wherein movement of
3 the actuator moves the drive shaft along the longitudinal axis.

1 11. The assembly of claim 10 wherein the actuator can extend the drive
2 shaft up to 5 centimeters beyond the distal end of the hollow guidewire.

1 12. The assembly of claim 9 wherein the housing comprises an
2 infusion or aspiration port coupled to the hollow guidewire.

1 13. The assembly of claim 1 wherein the hollow guidewire is
2 maintained in a substantially stationary position while the drive shaft is rotated and
3 advanced.

1 14. The assembly of claim 1 wherein the distal tip of the drive shaft is
2 radio-opaque.

1 15. The assembly of claim 1 wherein the drive shaft has riflings which
2 facilitate proximal transportation of a removed occlusive or stenotic material.

1 16. The assembly of claim 1 further comprising a support system
2 having a distal end, wherein the hollow guidewire passes through the support system such
3 that the distal tip is positioned beyond the distal end of the hollow guidewire and support
4 system.

1 17. The assembly of claim 16 wherein the support system comprises
2 placing means disposed near the distal end for centering or directing the distal end of the
3 support system within the body lumen.

1 18. The assembly of claim 16 wherein the hollow guidewire is
2 advanceable through a vasculature without the use of the support system.

1 19. The assembly of claim 1 wherein the drive shaft defines a
2 longitudinal axis, wherein the distal tip is deflected off the longitudinal axis.

1 20. A guidewire system for passing through an occlusion or stenosis,
2 the system comprising:

3 a hollow guidewire having a steerable distal end, a proximal end, and a
4 lumen therebetween;
5 a drive shaft movably disposed within the hollow guidewire, the drive
6 shaft having a longitudinal axis, a proximal end, and a distal tip portion;
7 a rotating mechanism coupled to the proximal end of the drive shaft; and
8 an actuator coupled to the drive shaft for controlling the axial movement of
9 the drive shaft;
10 wherein the activation of the actuator advances the rotatable drive shaft
11 from a retracted position to an extended position, wherein the rotating distal tip portion in
12 an extended position can create a path through the occlusion or stenosis.

1 21 The system of claim 20 wherein the distal tip portion is flattened
2 and twisted.

1 22. The system of claim 20 wherein the distal tip portion creates a path
2 forward of the hollow guidewire that is at least as large as the outer radius of the hollow
3 guidewire.

1 23. The system of claim 20 wherein the distal tip portion creates a path
2 forward of the hollow guidewire that is no larger than the outer radius of the hollow
3 guidewire.

1 24. The system of claim 20 wherein the distal tip portion comprises a
2 plurality of wires connected at their ends, a plurality of wires unconnected at their ends,
3 spiral with a blunt tip, or a loop.

1 25. The system of claim 20 wherein the hollow guidewire has the
2 pushability and torqueability to be advanced through a body lumen without the need of a
3 separate guidewire.

1 26. The system of claim 20 wherein the distal tip portion is deflectable,
2 sharpened, embedded, roughened, or coiled.

1 27. The system of claim 20 wherein the rotating mechanism and
2 actuator are coupled together such that the drive shaft is rotated and advanced
3 simultaneously.

1 28. The system of claim 20 wherein the rotating mechanism and
2 actuator are independently rotated and advanced.

1 29. The system of claim 20 wherein the rotating mechanism is
2 removably attached to the drive shaft.

1 30. The system of claim 20 wherein the lumen of the hollow guidewire
2 is configured to aspirate fluids and debris from or infuse fluids into the occlusion or
3 stenosis.

1 31. A system for crossing an occlusion or stenosis within a body
2 lumen, the system comprising:
3 an elongate member having a proximal end, a distal end, and an axial
4 passage extending to a distal tip at the distal end;
5 a drive shaft rotatably and translatably receivable in the axial passage of
6 the elongate member; and
7 a flattened and twisted distal tip attached to the drive shaft that can create a
8 path in front of the elongate member, wherein the drive shaft and distal tip are moveable
9 between an axially retracted configuration and an axially extended configuration.

1 32. The system of claim 31 wherein the distal tip in the axially
2 retracted configuration has a profile no larger than that of the distal tip

1 33. The system of claim 31 wherein the distal tip is sharpened.

1 34. The system of claim 31 wherein the distal tip comprises at least
2 two turns.

1 35. The system of claim 31 wherein the elongate member is a hollow
2 guidewire.

1 36. The system of claim 35 wherein the hollow guidewire has a
2 steerable tip.

1 37. The system of claim 35 wherein the hollow guidewire has a
2 diameter between approximately 0.009 inches and 0.035 inches.

1 38. The system of claim 31 further comprising a rotating mechanism
2 coupled to a proximal end of the drive shaft to facilitate rotation of the drive shaft.

1 39. The system of claim 38 wherein the mechanical rotating
2 mechanism is detachable from a proximal end of the drive shaft.

1 40. A system for crossing an occlusion or stenosis within a body
2 lumen, the system comprising:

3 an elongate member having a proximal end, a distal end, and an axial
4 passage;

5 a drive shaft comprising a longitudinal axis rotatably and translatably
6 disposed in the axial passage of the elongate member, wherein a proximal portion of the
7 drive shaft is removably attached to a rotating mechanism and a distal tip is deflectable
8 off of the longitudinal axis;

9 wherein the rotating mechanism rotates the drive shaft so that a distal tip
10 of the drive shaft can be advanced beyond the distal end of the elongate member to create
11 a path that is large enough to pass the elongate member through the occlusion or stenosis.

1 41. The system of claim 40 wherein the elongate member has a
2 steerable tip.

1 42. The system of claim 40 wherein the elongate member has an outer
2 diameter between approximately 0.035 inches and 0.009 inches.

1 43. The system of claim 40 wherein the path created by the distal tip is
2 at least as large as the diameter of the distal end of the elongate member.

1 44. The system of claim 40 wherein the path created by the distal tip is
2 no larger than the diameter of the distal end of the elongate member.

1 45. The system of claim 40 wherein the drive shaft can extend up to 5
2 centimeters beyond the distal end of the elongate member.

1 46. The system of claim 40 wherein the drive shaft is movable between
2 a retracted position and an extended position, wherein the distal tip in the retracted
3 position can be completely disposed within the elongate member.

1 47. The system of claim 40 wherein the drive shaft is movable between
2 a retracted position and an extended position, wherein the distal tip in the retracted
3 position at least partially extends out of the distal end of the elongate member.

1 48. The system of claim 40 further comprising a support or access
2 system disposed over the elongate member, wherein the rotating mechanism is detached
3 from the drive shaft prior to positioning the support or access system over the elongate
4 member.

1 49. The system of claim 40 wherein the axial passage of the elongate
2 body is configured for infusion or aspiration of the body lumen.

1 50. A method of crossing an occlusion or stenosis within a body lumen
2 comprising:
3 positioning a hollow guidewire comprising a drive shaft into the body
4 lumen;
5 rotating the drive shaft within a lumen of the guidewire;
6 extending the drive shaft from a retracted configuration to an extended
7 configuration; and
8 advancing the distal portion of the drive shaft into the occlusion or
9 stenosis.

1 51. The method of claim 50 wherein the drive shaft is simultaneously
2 extended and rotated.

1 52. The method of claim 50 wherein the drive shaft is independently
2 extended and rotated.

1 53. The method of claim 50 wherein the drive shaft in the extended
2 configuration creates a path at least as large as the perimeter of the distal end of the
3 elongate member.

1 54. The method of claim 50 further comprising advancing the
2 guidewire through the body lumen without the use of a separate guidewire.

- 1 55. The method of claim 50 further comprising maintaining the
2 position of the guidewire during the advancing of the drive shaft.
- 1 56. The method of claim 50 further comprising moving a support
2 system through the body lumen.
- 1 57. The method of claim 56 wherein the support system is moved over
2 a guidewire, wherein the guidewire is removed from the support system prior to
3 positioning the hollow guidewire within the support system and body lumen.
- 1 58. The method of claim 56 wherein the support system is moved
2 through the body lumen over the hollow guidewire.
- 1 59. The method of claim 56 wherein a rotating mechanism is detached
2 from the drive shaft prior to moving the support system over the hollow guidewire.
- 1 60. The method of claim 56 further comprising infusing or aspirating
2 the body lumen through the support system.
- 1 61. The method of claim 56 further comprising maintaining the
2 position of the support system in the body lumen during the extending step.
- 1 62. The method of claim 56 further comprising using the support
2 system to perform a balloon angioplasty, stent placement, ultrasound, or an atherectomy.
- 1 63. The method of claim 50 further comprising infusing or aspirating
2 the body lumen through the hollow guidewire.
- 1 64. The method of claim 63 wherein the infusing or aspirating is
2 performed simultaneously with the creation of the path.
- 1 65. The method of claim 63 wherein infusing comprises delivering at
2 least one of a therapeutic material, rinsing material, a dye, and a diagnostic material
3 through the elongate member.
- 1 66. The method of claim 50 further comprising steering the distal end
2 of the elongate member.

1 67. A kit comprising:
2 a hollow guidewire having an axial passage;
3 a rotatable drive shaft having a shaped distal tip, the rotatable wire being
4 removably received within the passage of the hollow guidewire;
5 instructions for use in passing through occlusions in a body lumen
6 comprising rotating the inner wire within the steerable hollow guidewire and advancing
7 the drive shaft into the occlusive material to create a path through the occlusive material;
8 and
9 a package adapted to contain the hollow guidewire, rotatable wire, and the
10 instructions for use.

1 68. The kit of claim 67 wherein rotation of the shaped distal tip creates
2 a profile that is at least as large as the outer diameter of the hollow guidewire.

1 69. The kit of claim 67 wherein rotation of the shaped distal tip creates
2 a profile that is no larger than the outer diameter of the hollow guidewire.

1 70. The kit of claim 67 wherein the hollow guidewire has an outer
2 diameter between approximately 0.035 inches and 0.009 inches.

1 71. The kit of claim 67 wherein the shaped tip comprises a deflected
2 tip, a sharpened tip, a coiled tip, or a roughened tip.

3 72. The kit of claim 67 wherein the hollow guidewire has a steerable
4 distal portion.

1 73. The kit of claim 67 further comprising a support or access system,
2 wherein the support or access system is sized to removably receive the hollow guidewire
3 and position a distal end of the hollow guidewire adjacent the occlusion.

1 74. The kit of claim 73 wherein the support or access system comprises
2 an atherectomy catheter, support catheter, a balloon angioplasty catheter, a stenting
3 catheter, infusion catheter, rotational catheter, extractional catheter, or a guiding catheter.

1 75. The kit of claim 74 further comprising a second guidewire, wherein
2 the support or access system is advanced through the body lumen over the second
3 guidewire.

1 76. The kit of claim 67 further comprising a power supply and a motor,
2 wherein the motor can be coupled to a proximal end of the rotatable drive shaft so as to
3 rotate the drive shaft.

1 77. The kit of claim 76 further comprising attachment mechanism for
2 detachably coupling the motor to the drive shaft.

1 78. The kit of claim 76 wherein the power supply comprises a plastic
2 sheath cover.

1 79. The kit of claim 77 wherein the motor is movably housed within a
2 housing, wherein the housing is coupled to the hollow guidewire through a luer.

GUIDEWIRE FOR CROSSING OCCLUSIONS OR STENOSIS

ABSTRACT OF THE DISCLOSURE

5 Systems and methods for crossing stenosis, partial occlusions, or complete occlusions within a body lumen. The systems generally include an elongate member such as a hollow guidewire that houses a rotatable and translatable drive shaft. The drive shaft typically has a distal portion that is advanced to create a path in the occlusive material that is large enough to allow the hollow guidewire to cross the occlusive material.

PA 3082136 v1

14

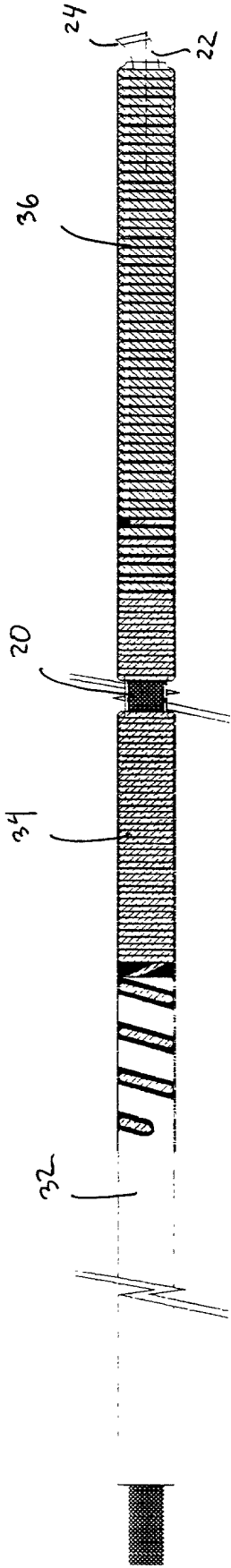


FIG. 2

10

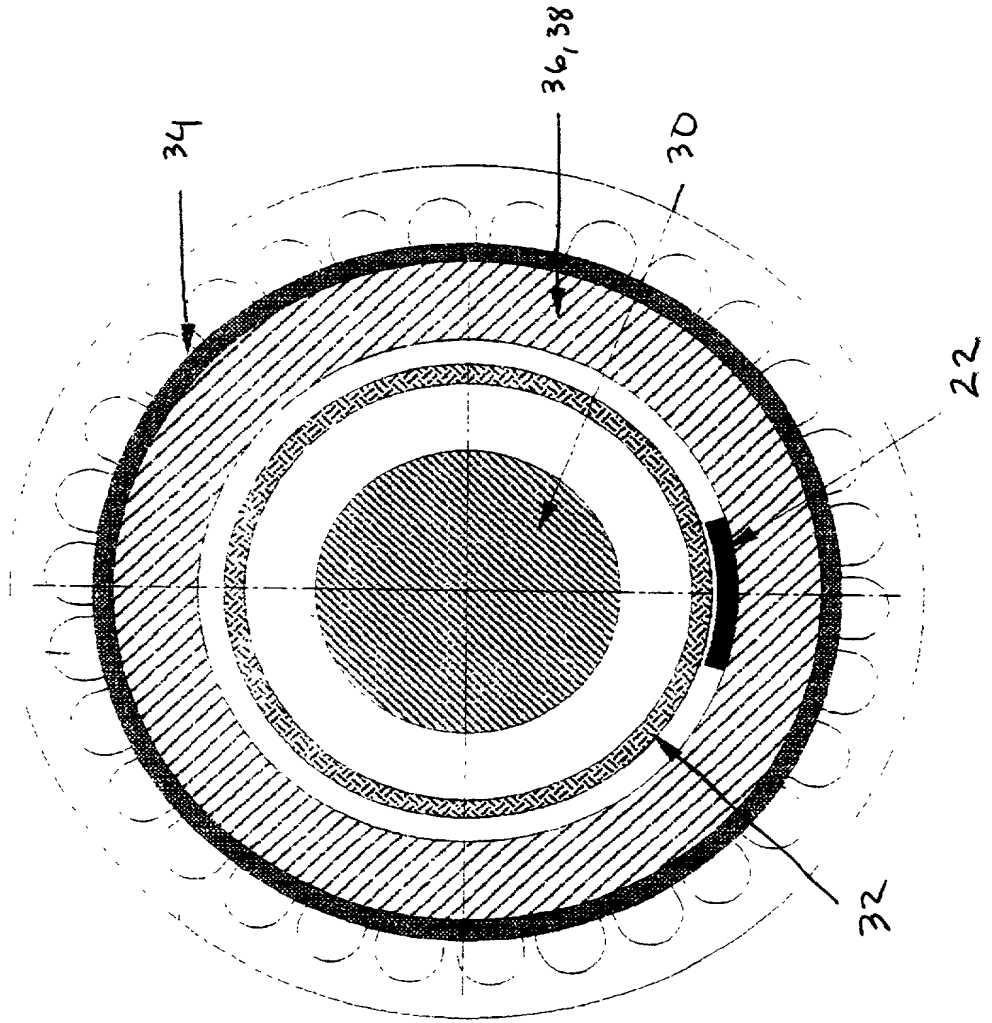


FIG. 3

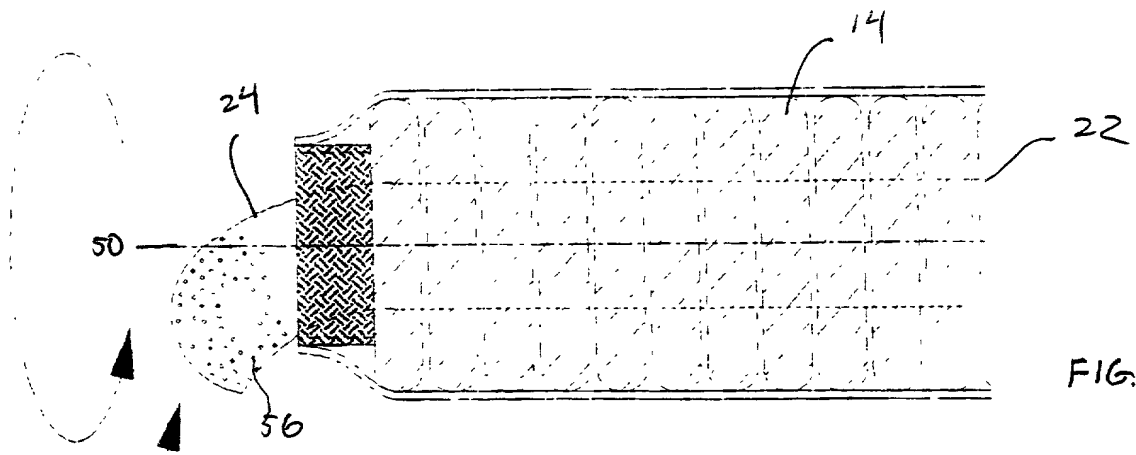


FIG. 4

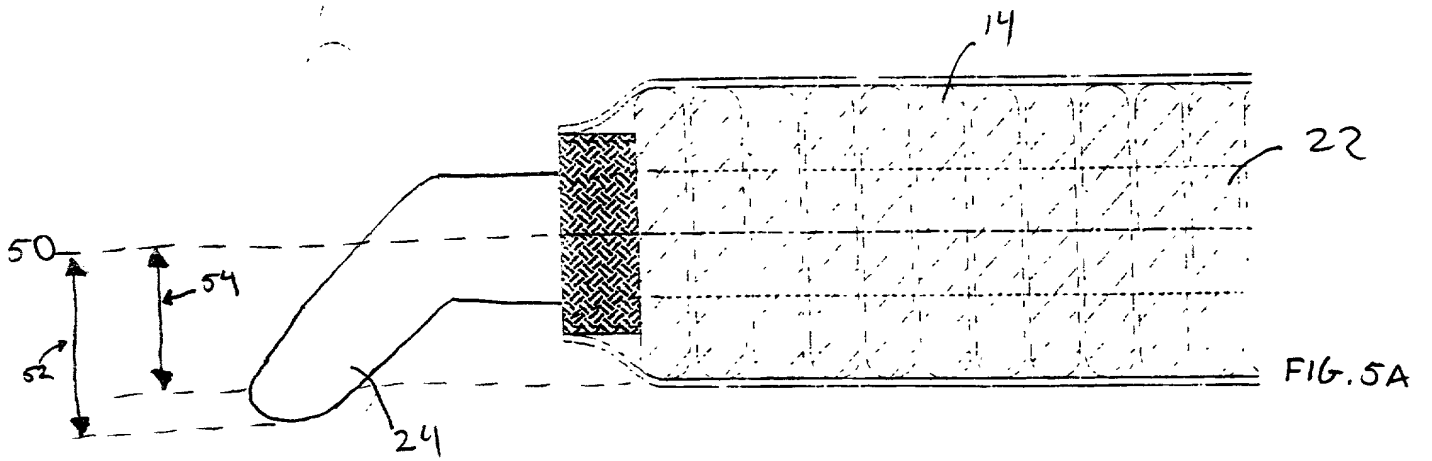


FIG. 5A

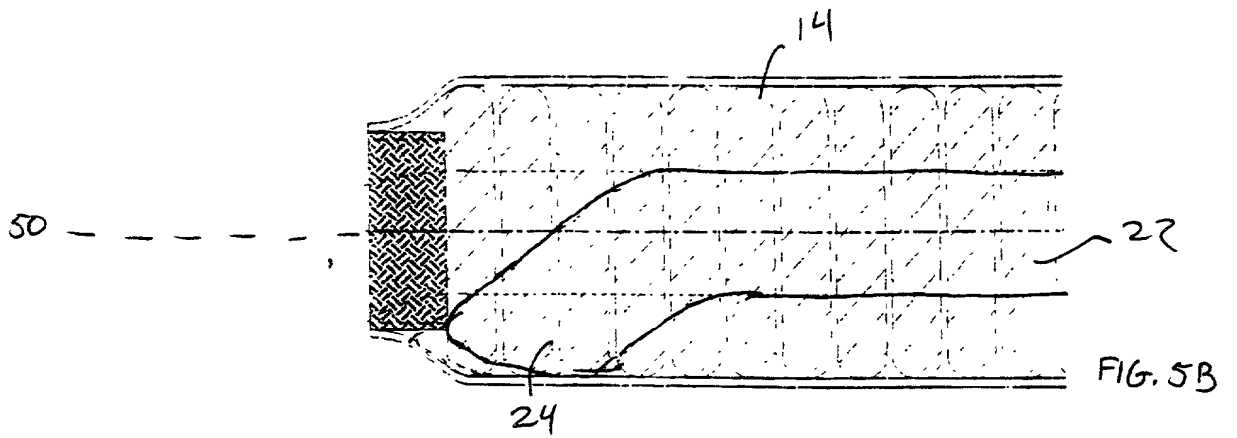


FIG. 5B

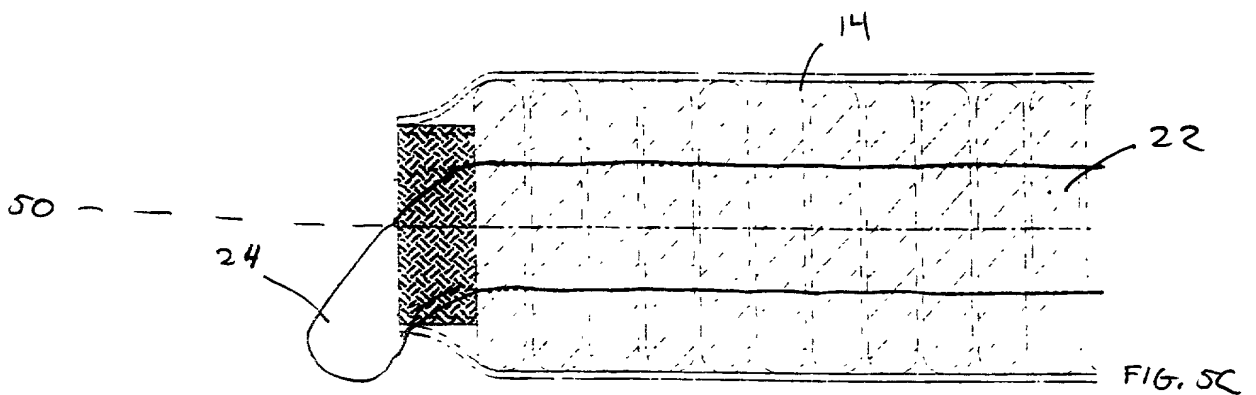


FIG. 5C

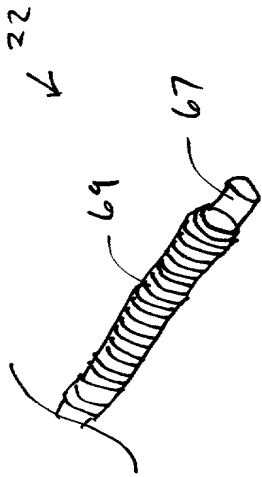


FIG. 6E

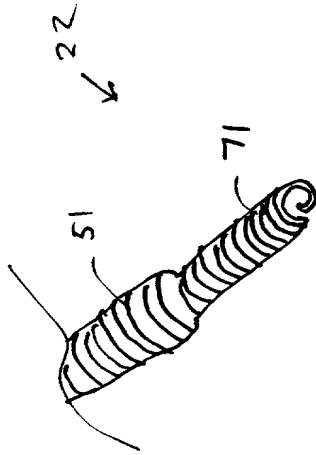


FIG. 6F

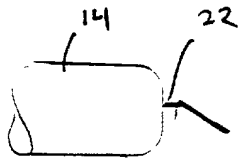


FIG. 8B

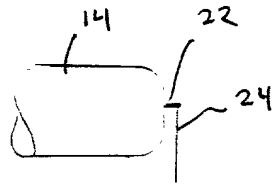


FIG. 8A

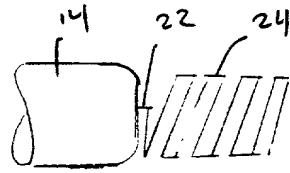


FIG. 8D

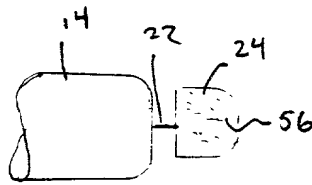


FIG. 8E

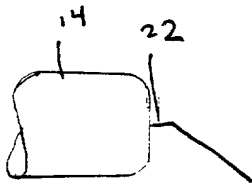


FIG. 8C

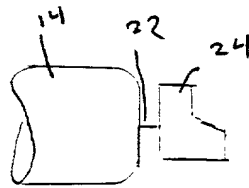


FIG. 8F

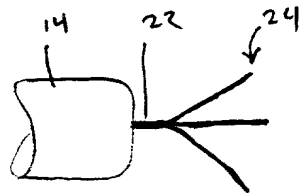


FIG. 8G

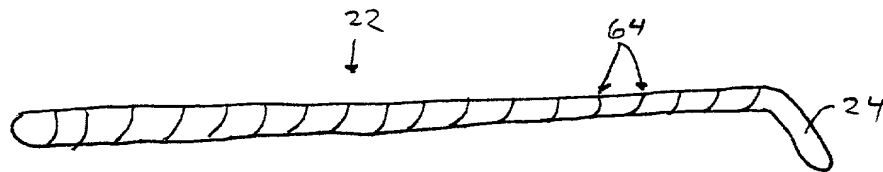


FIG. 9

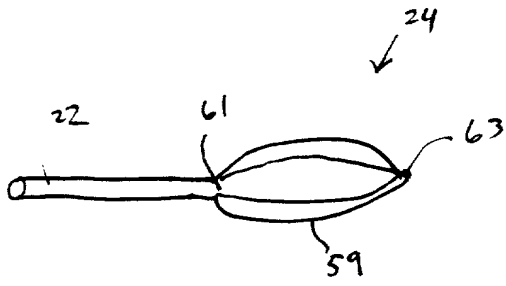


FIG. 8H

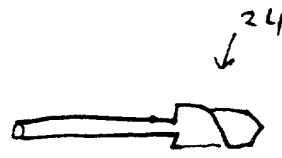


FIG. 8L

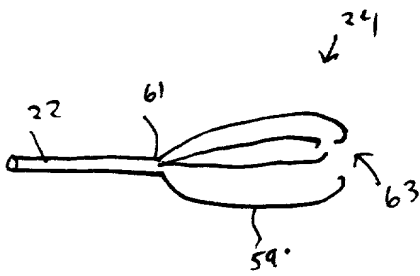


FIG. 8I

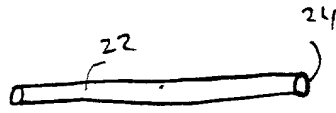


FIG. 8M

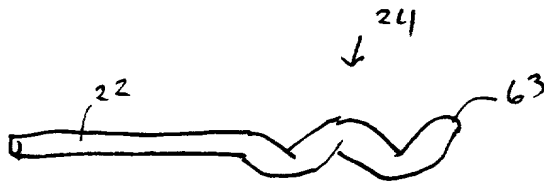


FIG. 8J



FIG. 8N

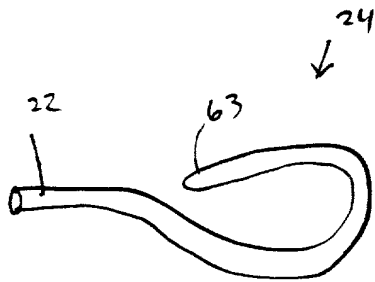


FIG. 8K



FIG. 8O



FIG. 8P

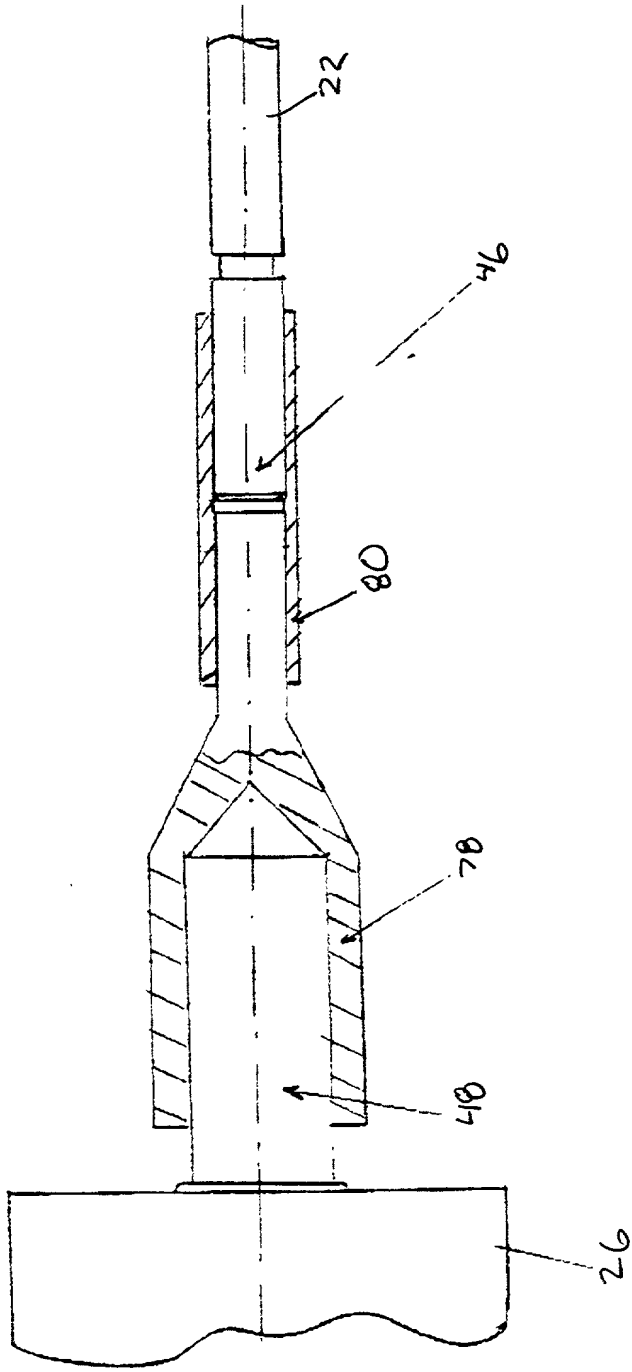


FIG. 11A

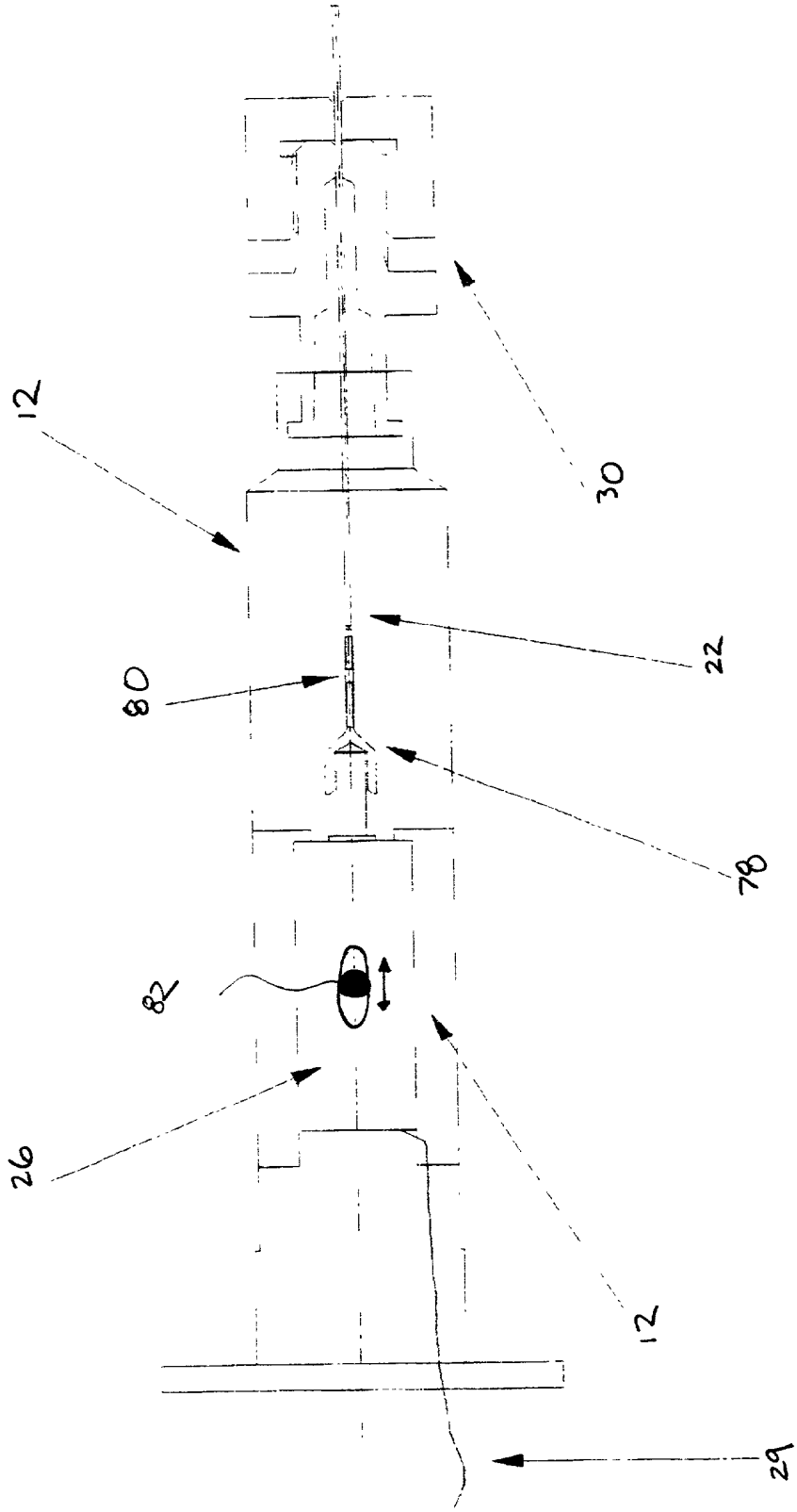


FIG. 11B

U.S. PATENT OFFICE

30 ←

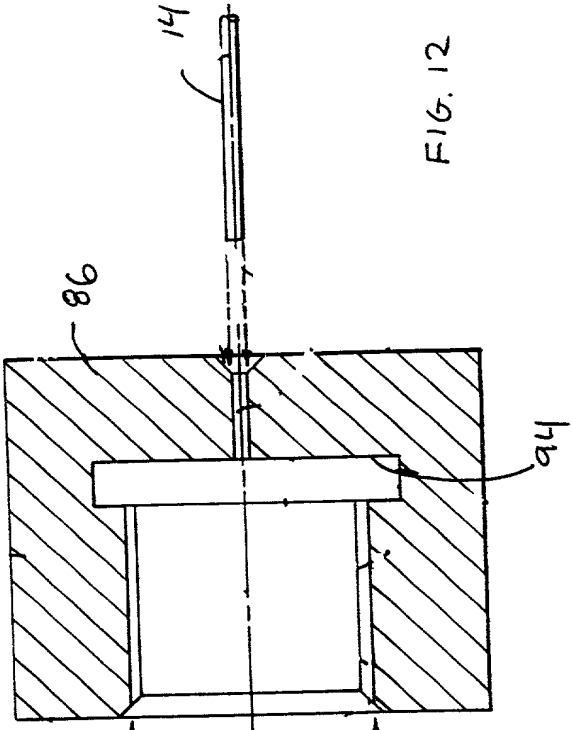


FIG. 12

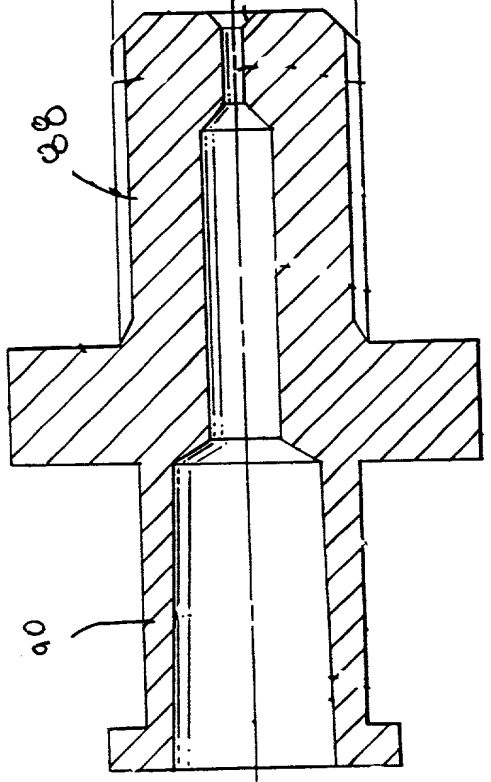


FIG. 13

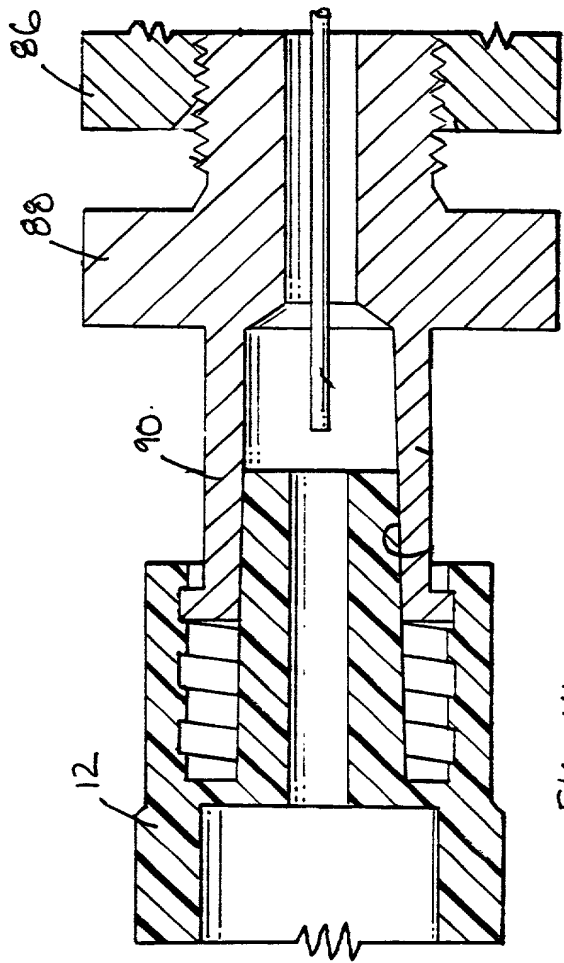
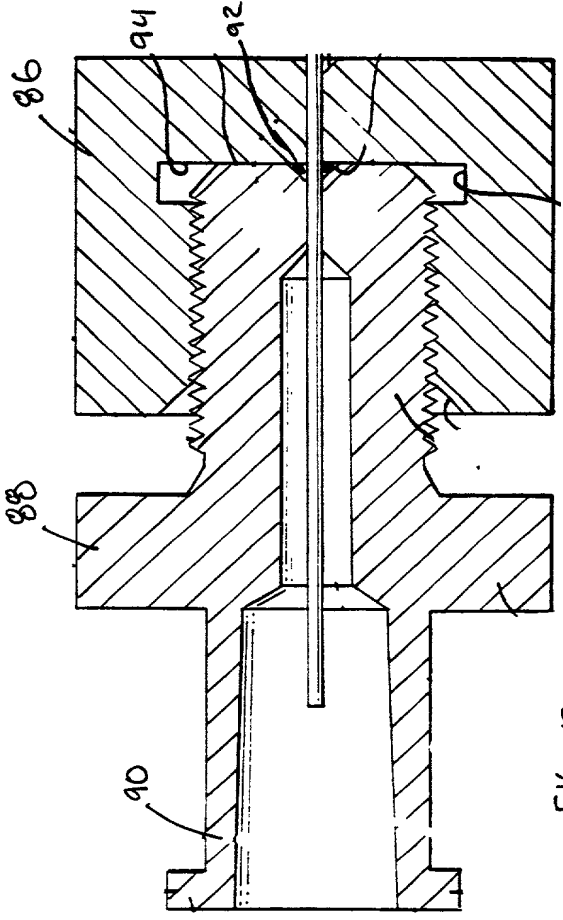


FIG. 14

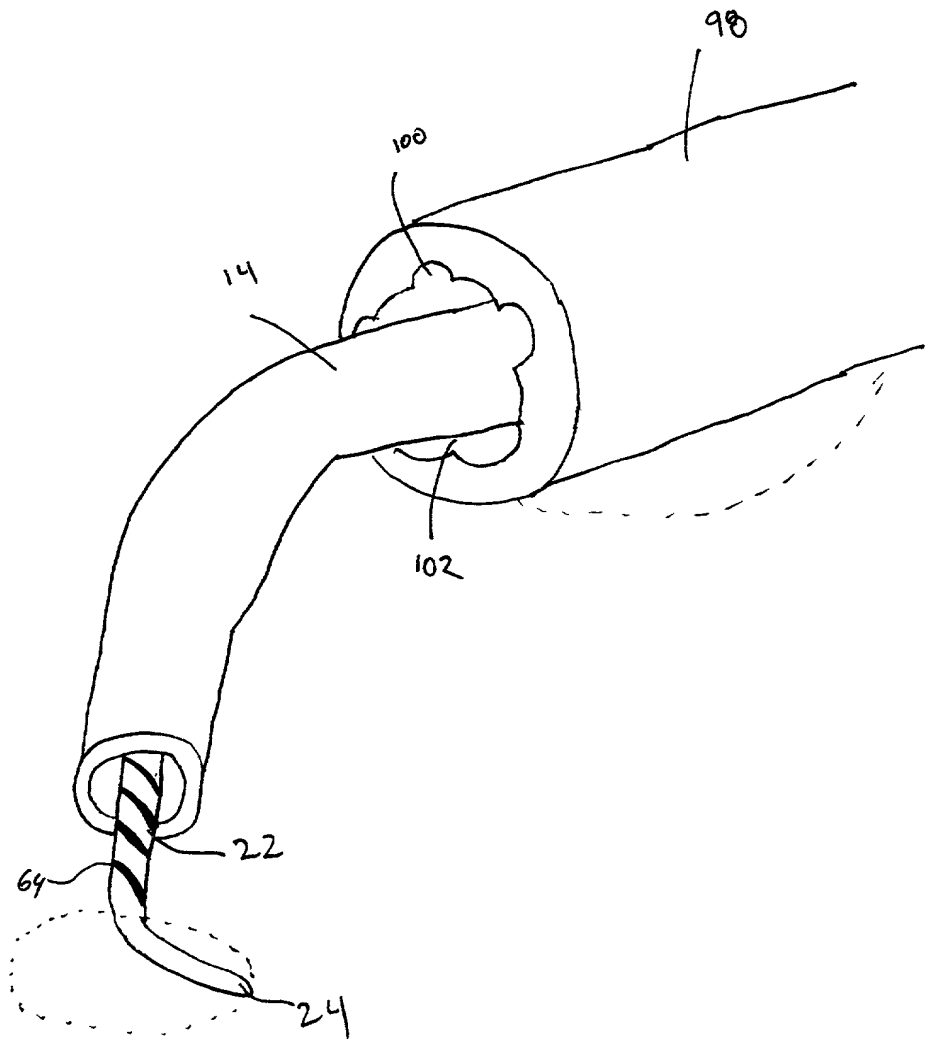


FIG. 15

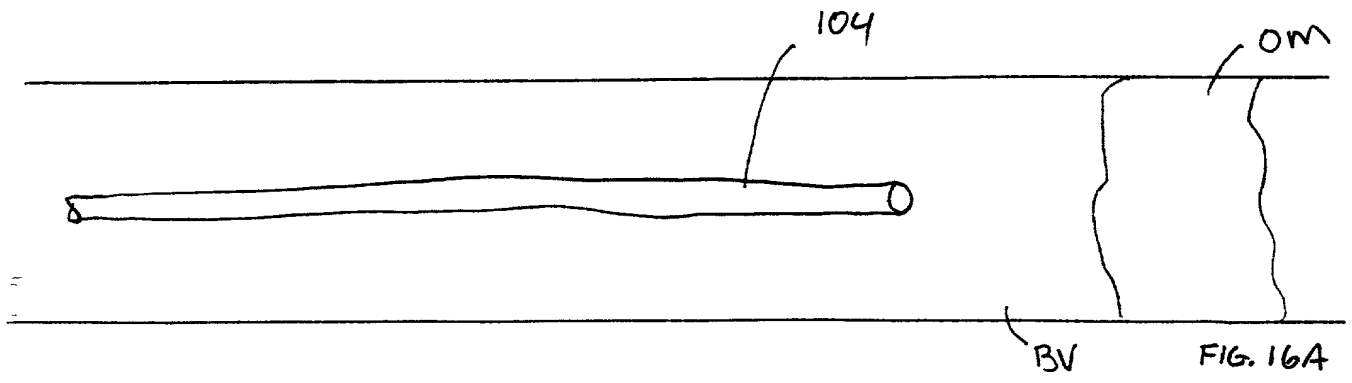


FIG. 16A

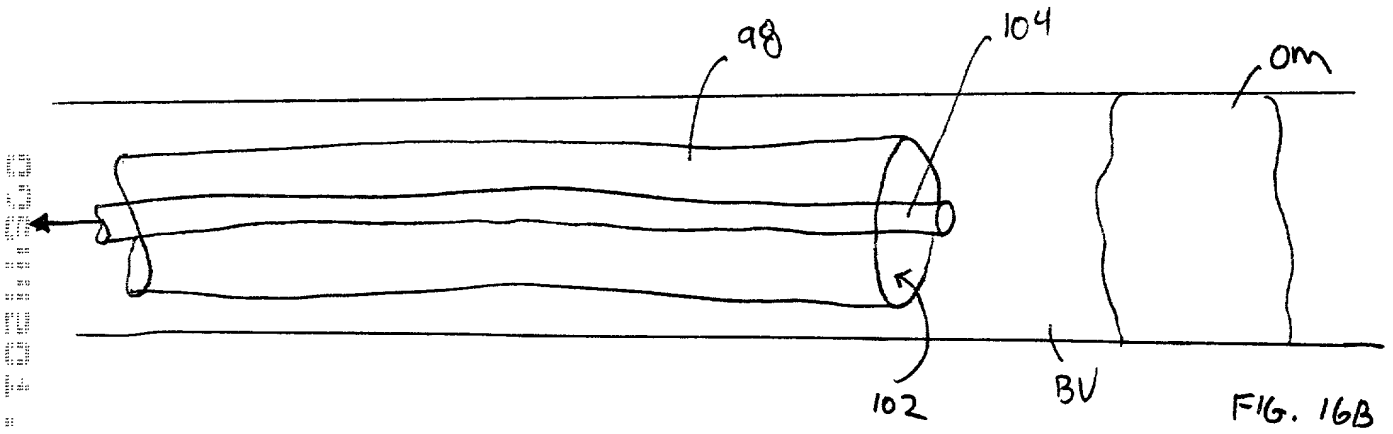


FIG. 16B

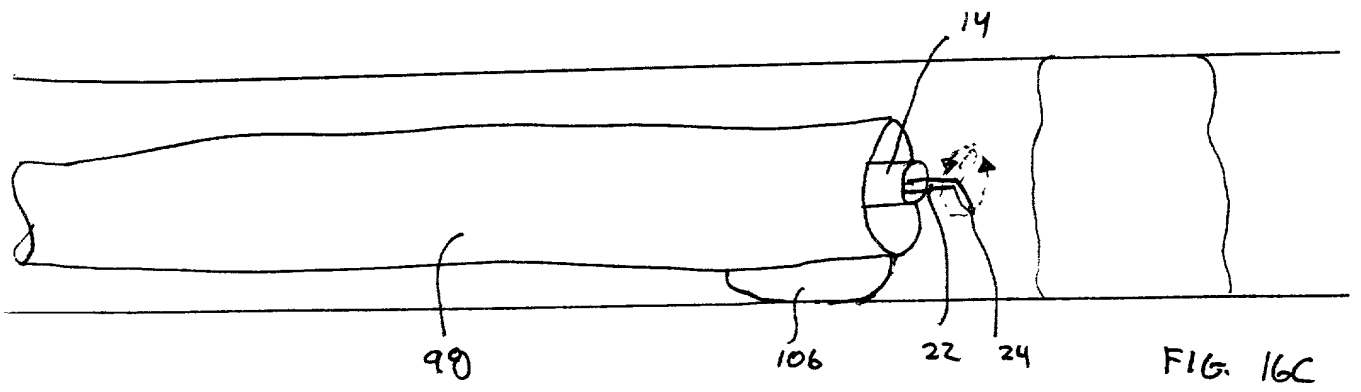


FIG. 16C

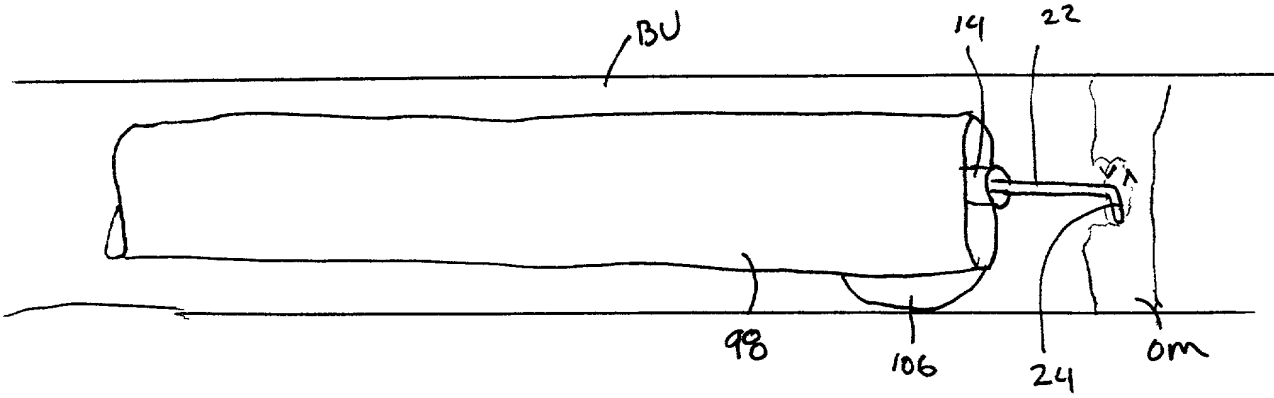


FIG. 16D

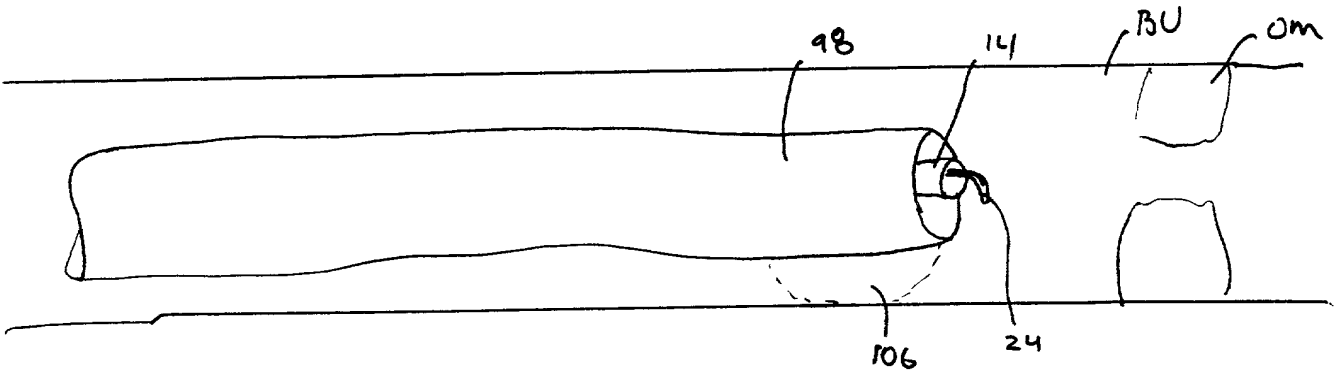


FIG. 16E

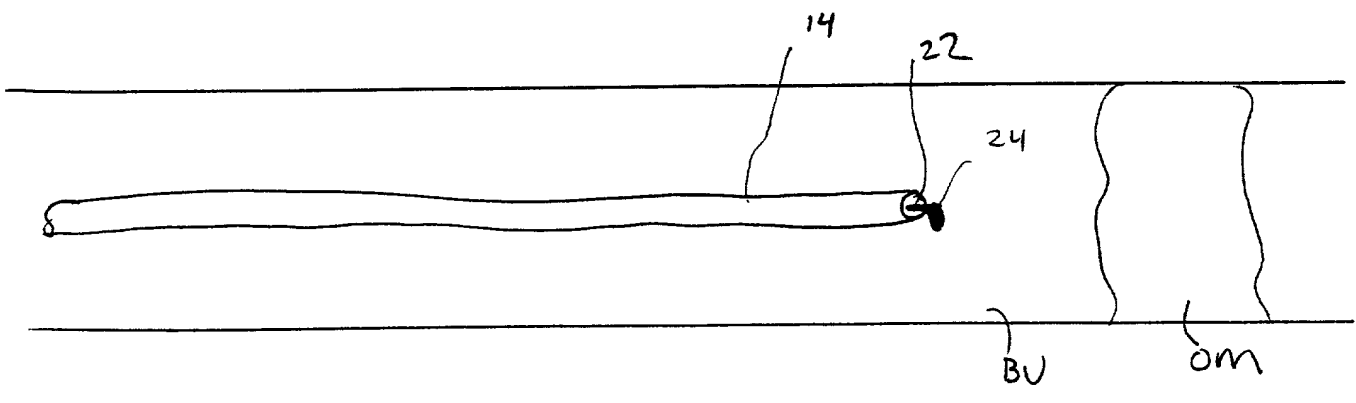


FIG. 17A

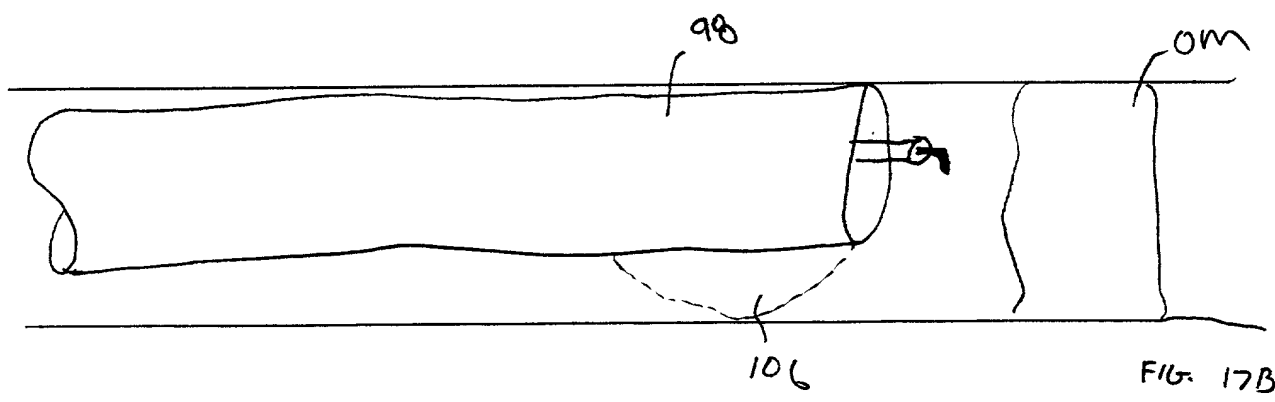


FIG. 17B

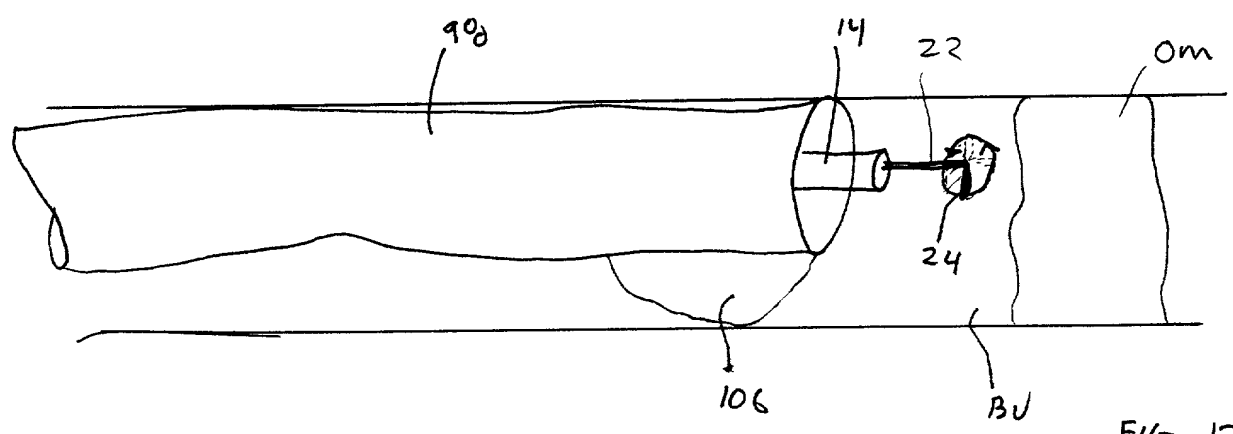


FIG. 17C

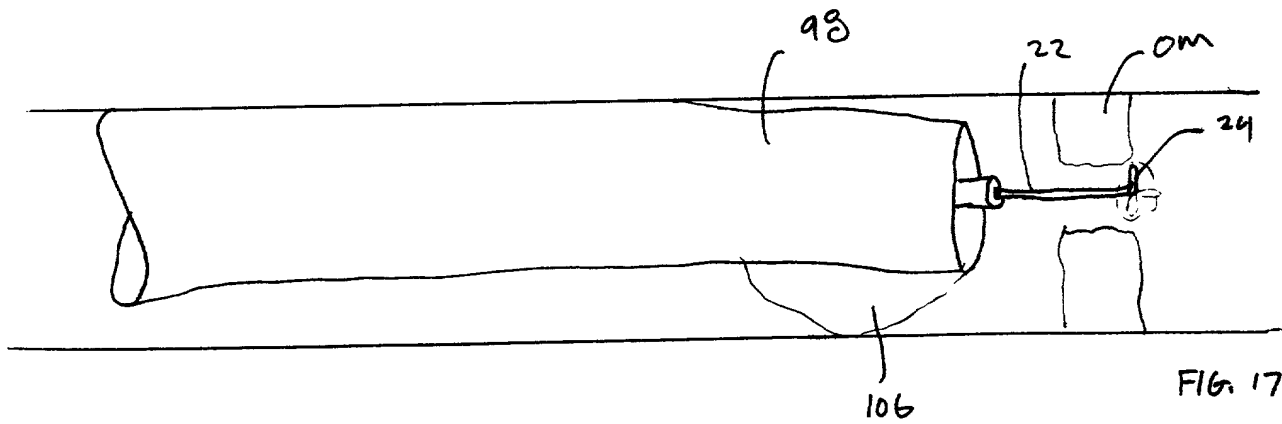


FIG. 17D

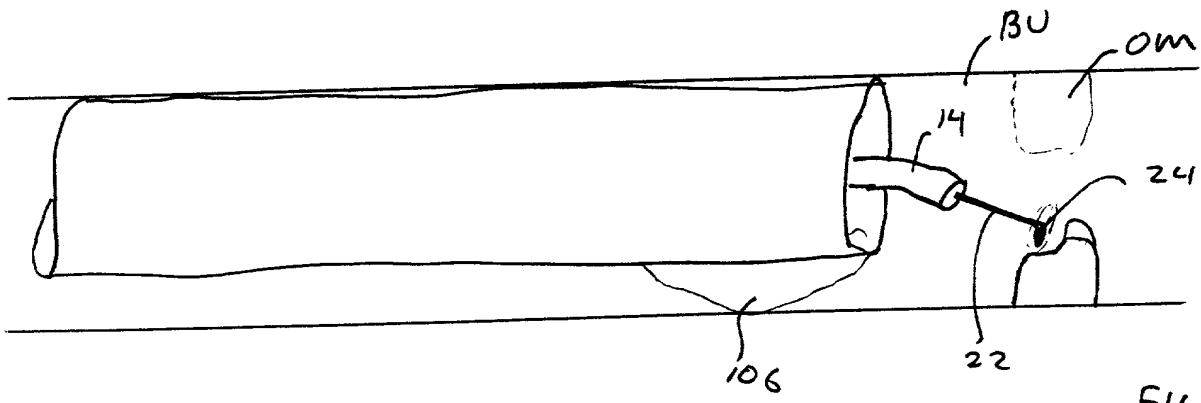
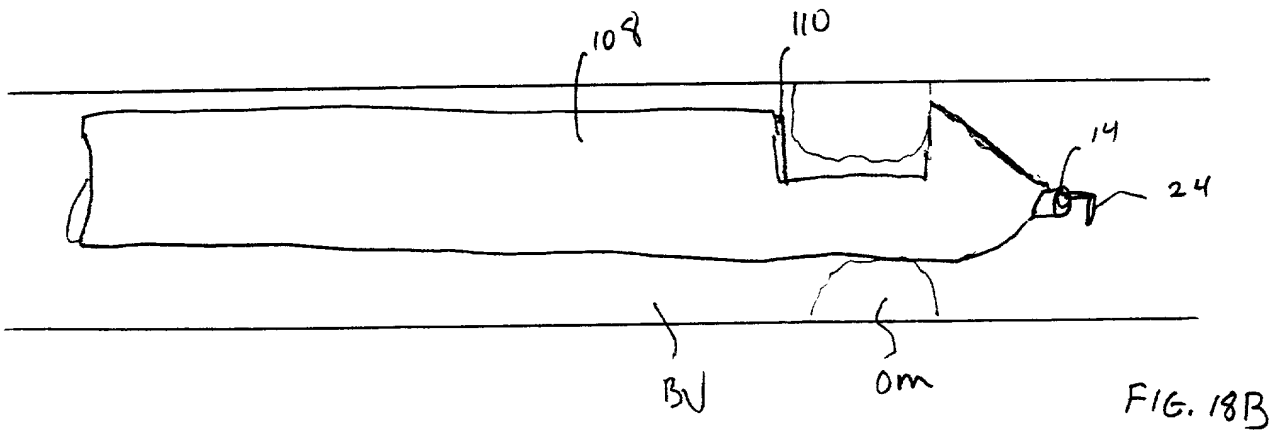
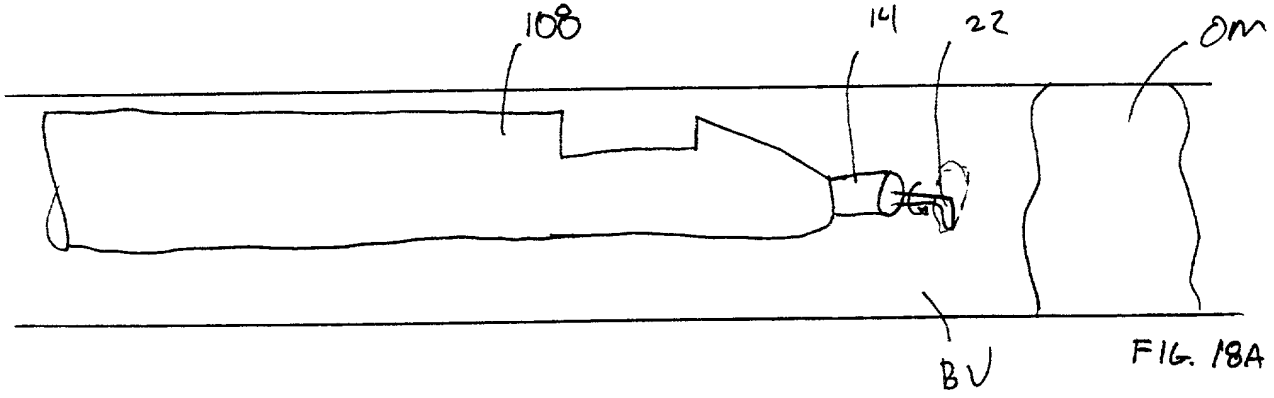


FIG. 17E



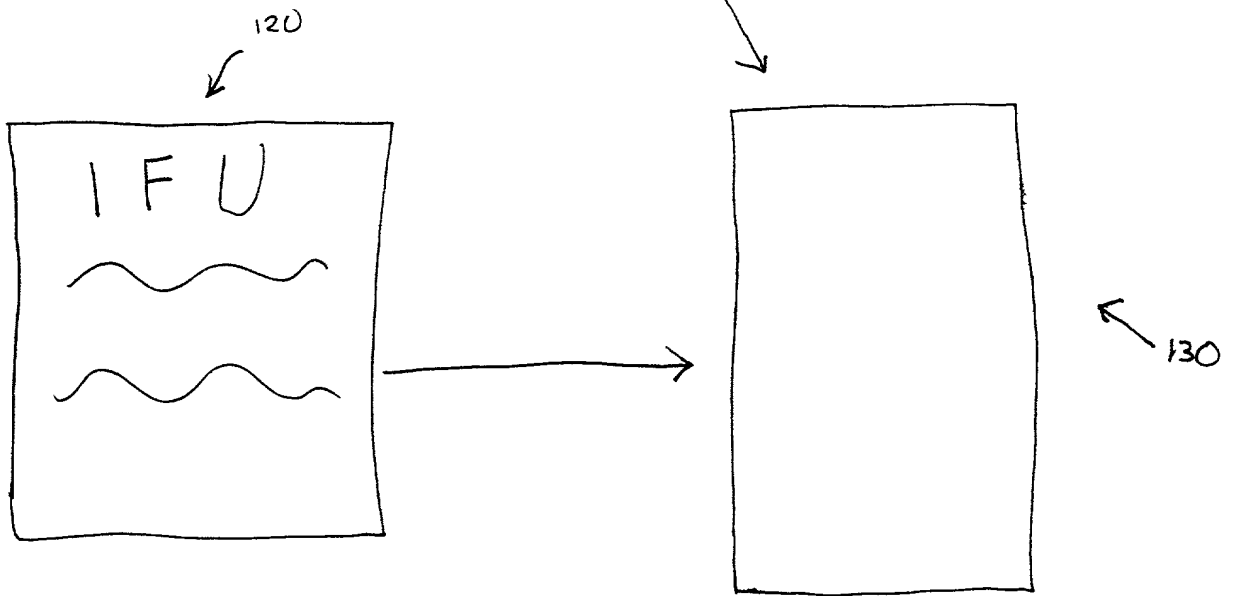
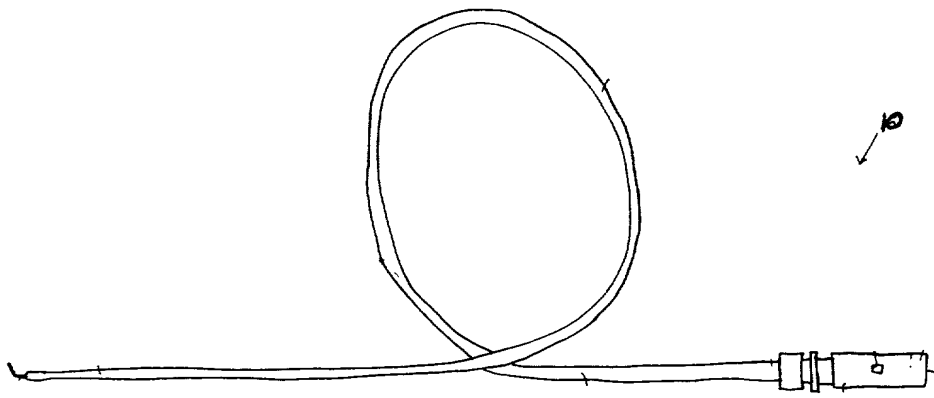


FIG. 19

DECLARATION

As a below named inventor, I declare that:

My residence, post office address and citizenship are as stated below next to my name; I believe I am the original, first and sole inventor (if only one name is listed below) or an original, first and joint inventor (if plural inventors are named below) of the subject matter which is claimed and for which a patent is sought on the invention entitled: **GUIDEWIRE FOR CROSSING OCCLUSIONS OR STENOSES** the specification of which X is attached hereto or _____ was filed on _____ as Application No. _____ and was amended on _____ (if applicable).

I have reviewed and understand the contents of the above identified specification, including the claims, as amended by any amendment referred to above. I acknowledge the duty to disclose information which is material to patentability as defined in Title 37, Code of Federal Regulations, Section 1.56. I claim foreign priority benefits under Title 35, United States Code, Section 119 of any foreign application(s) for patent or inventor's certificate listed below and have also identified below any foreign application for patent or inventor's certificate having a filing date before that of the application on which priority is claimed.

I hereby claim the benefit under Title 35, United States Code § 119(e) of any United States provisional application(s) listed below:

| Application No. | Filing Date |
|-----------------|---------------|
| 60/195,154 | April 6, 2000 |

| | | | | |
|--------------------------|--|---|---|------------------------------|
| Full Name of Inventor 1: | Last Name: NORIEGA | First Name: GERARDO | Middle Name or Initial: V. | |
| Residence & Citizenship: | City: Mountain View | State/Foreign Country: California | Country of Citizenship: United States | |
| Post Office Address: | Post Office Address: 477 Chelsey Avenue | City: Mountain View | State/Country: California | Postal Code: 94040 |
| Full Name of Inventor 2: | Last Name: CHECHELSKI | First Name: VICTOR | Middle Name or Initial: | |
| Residence & Citizenship: | City: Winterville | State/Foreign Country: North Carolina | Country of Citizenship: United States | |
| Post Office Address: | Post Office Address: 106 Berkshire Drive | City: Winterville | State/Country: North Carolina | Postal Code: 28590 |
| Full Name of Inventor 3: | Last Name: SUDARIA | First Name: RUDOLFO | Middle Name or Initial: | |
| Residence & Citizenship: | City: Union City | State/Foreign Country: California | Country of Citizenship: United States | |
| Post Office Address: | Post Office Address: 32617 Brenda Avenue, #2 | City: Union City | State/Country: California | Postal Code: 94517 |

I further declare that all statements made herein of my own knowledge are true and that all statements made on information and belief are believed to be true; and further that these statements were made with the knowledge that willful false statements and the like so made are punishable by fine or imprisonment, or both, under Section 1001 of Title 18 of the United States Code, and that such willful false statements may jeopardize the validity of the application or any patent issuing thereon.

| | | |
|-------------------------|-------------------------|-------------------------|
| Signature of Inventor 1 | Signature of Inventor 2 | Signature of Inventor 3 |
| Gerardo V. Noriega | Victor Chechelski | Rudolfo Sudaria |
| Date | Date | Date |